

SPECIFICATIONS

Mechanical

Insertion Force: 55.5N max.
Withdrawal Force: 49.0N max.
Durability: 250 Cycles.

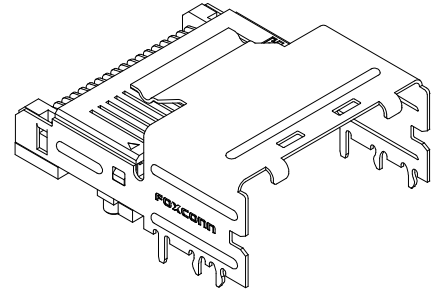
Electrical

Voltage Rating: 250V.
Current Rating: 0.5A min. per pin.
Contact Resistance: Δ20mΩ max. after Life testing.
Dielectric Withstanding Voltage: 300V AC.
Insulation Resistance: 1000MΩ min.

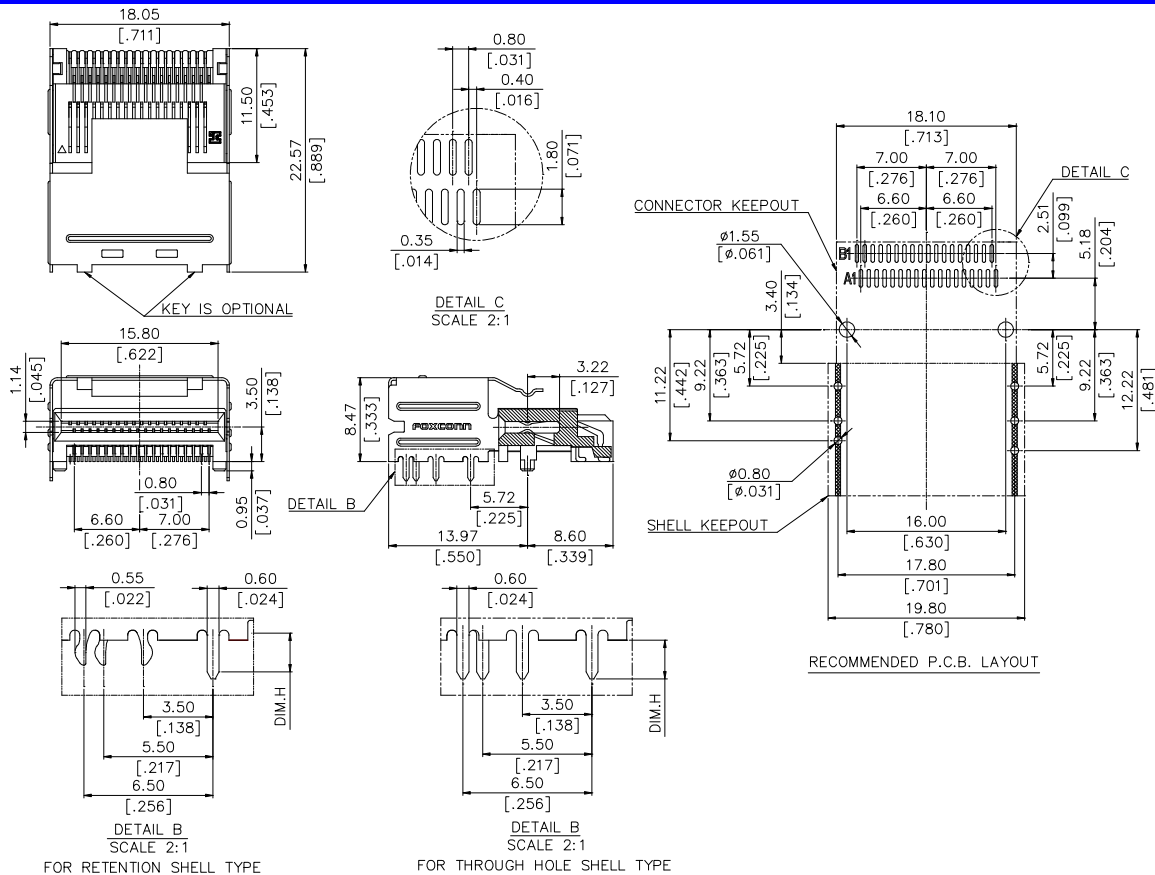
Physical

Housing: Thermoplastic, UL94 V-0 rated in Black Color
Contact: Copper alloy
Plating: See "ORDERING INFORMATION"
Operating Temperature: -20°C to +85°C

Mini SAS Connector
LD21 Series
R/A, SMT, Receptacle
0.8mm [.032"] Pitch



DRAWING



ORDERING INFORMATION

PRODUCT NO. : L D 2 1 36 * - M 8 * * *

- S-ATA Series
- Mating End Type
2=Receptacle
- Mounting End Type
1= SMT, R/A
- No. of Pos.
36 = 36 Pos.
- Packing Type
None=Tray
6 = Tape&Reel
- Housing Material
L = LCP, Color Black
- Modification Code
(1,2,3,4...)
- External Mini SAS
- Mini SAS Type
- Contact Area Plating
H=30u" Gold With RoHS Compliance
V=15u" Gold With RoHS Compliance

ATTACHMENT

LD2136*-M8K**	1.96 [.077]	THROUGH HOLE	DUAL KEY
LD2136*-M8J**	1.96 [.077]	THROUGH HOLE	RIGHT KEY
LD2136*-M8H**	1.96 [.077]	THROUGH HOLE	LEFT KEY
LD2136*-M8G**	1.96 [.077]	RETENTION	UNIVERSAL
LD2136*-M8F**	1.96 [.077]	RETENTION	RIGHT KEY
LD2136*-M8E**	1.96 [.077]	RETENTION	LEFT KEY
LD2136*-M89**	2.79 [.110]	THROUGH HOLE	LEFT KEY
LD2136*-M88**	2.79 [.110]	THROUGH HOLE	RIGHT KEY
LD2136*-M87**	2.79 [.110]	THROUGH HOLE	DUAL KEY
LD2136*-M85**	3.56 [.140]	THROUGH HOLE	UNIVERSAL
PRODUCT No.	DIM.H	SHELL P.C.B. OPTION	SHELL KEY OPTION

LD2136*-M8Y**	1.96 [.077]	RETENTION	DUAL KEY
LD2136*-M8W**	3.18 [.125]	THROUGH HOLE	UNIVERSAL
LD2136*-M8V**	1.96 [.077]	THROUGH HOLE	UNIVERSAL
LD2136*-M8U**	2.79 [.110]	THROUGH HOLE	UNIVERSAL
LD2136*-M8S**	3.56 [.140]	THROUGH HOLE	DUAL KEY
LD2136*-M8R**	3.56 [.140]	THROUGH HOLE	RIGHT KEY
LD2136*-M8Q**	3.56 [.140]	THROUGH HOLE	LEFT KEY
LD2136*-M8N**	3.18 [.125]	THROUGH HOLE	DUAL KEY
LD2136*-M8M**	3.18 [.125]	THROUGH HOLE	RIGHT KEY
LD2136*-M8L**	3.18 [.125]	THROUGH HOLE	LEFT KEY
PRODUCT No.	DIM.H	SHELL P.C.B. OPTION	SHELL KEY OPTION