

SPECIFICATIONS

Mechanical

Insertion Force: 45N max.
Withdrawal Force: 10N min.
Durability: 500 Cycles.

Electrical

Voltage Rating: 250V.
Current Rating: 1.5A max. per pin
Contact Resistance: 30mΩ max.
Dielectric Withstanding Voltage: 500V AC.
Insulation Resistance: 1000MΩ min.

Physical

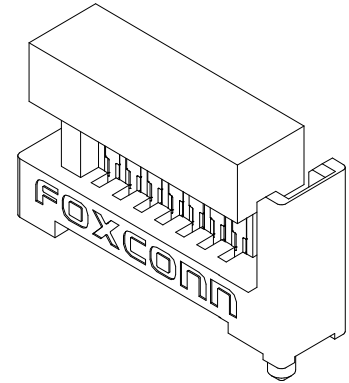
Housing: Thermoplastic, UL 94V-0 rated in Black Color
Contact: Copper alloy
Plating: See "ORDERING INFORMATION"
Operating Temperature: -55°C to +85°C

S-ATA Connector

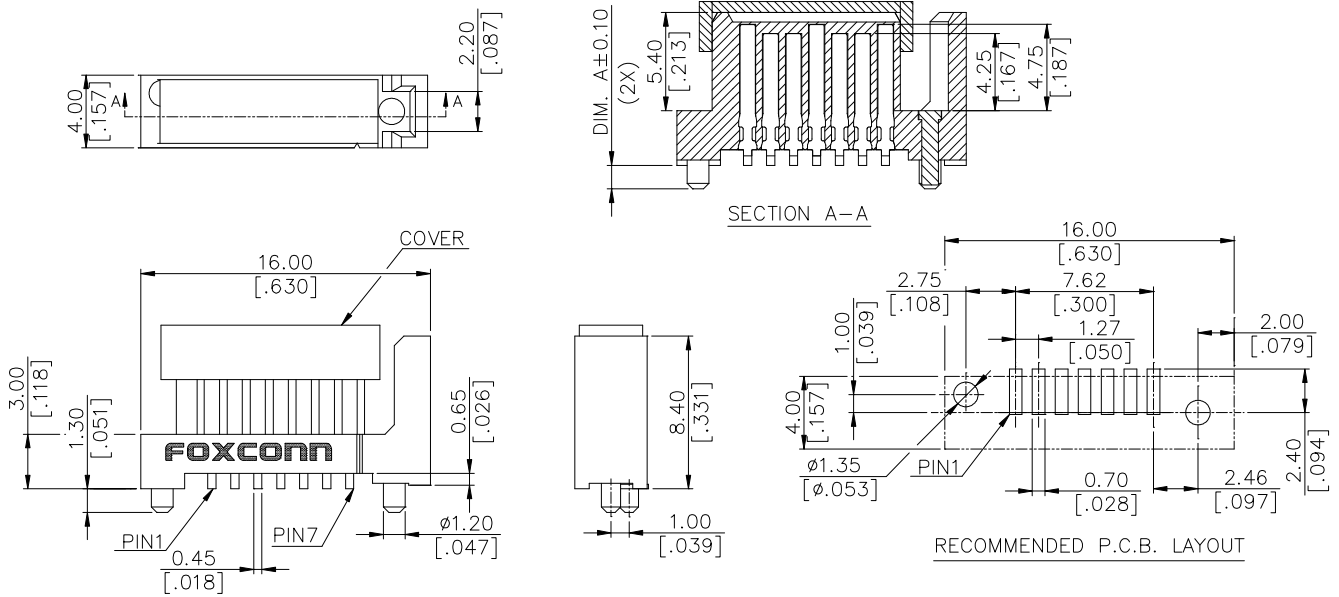
LD Series

Vertical Type, SMT
PLUG

1.27mm [.050"] Pitch
7 Pos.



DRAWING



ORDERING INFORMATION

PRODUCT NO. : LD 1 5 07 * - S 0 * L 6

S-ATA Series _____
Mating End Type _____
1=Host Plug
Mounting End Type _____
1=Vertical, SMT
No. of Pos. _____
07=7 Pos.
Contact Area Plating _____
F=Gold Flash Plating With RoHS Compliance
H=30u" Gold Plating With RoHS Compliance
V=15u" Gold Plating With RoHS Compliance

PACKING TYPE
6=T&R WITH CAP
HOUSING MATERIAL
L = LCP
DEVELOP SERIES
(1,3,4,5,6.....)
OUTER SHAPE
0 = STANDARD TYPE
S-ATA TYPE

LD1507*-S05L6	2.80
LD1507*-S04L6	1.30
PART No.	DIM. A