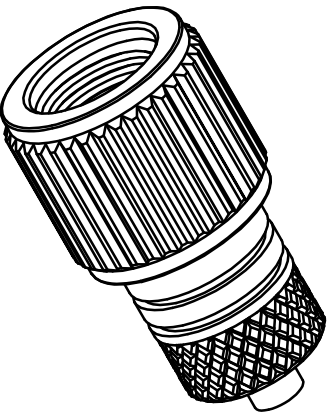
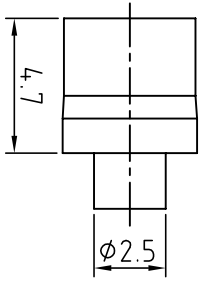
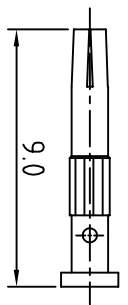
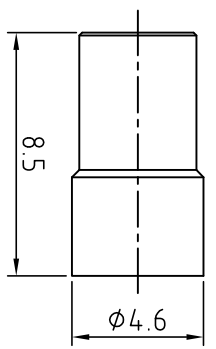
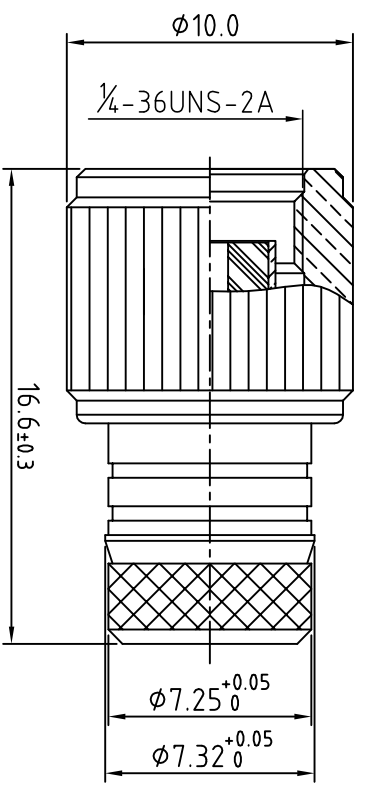


REV.	EQN. NO.	APPD.
A	PC-08-7028027	L.C. WU



- NOTES:
1. INTERFACE STANDARD: IEC60169-15;
  2. MATERIAL & FINISH:
    - 2.1 BODY: COPPER ALLOY, NICKL PLATED;
    - 2.2 INSULATOR: PTFE;
    - 2.3 SOCKET: BERYLLIUM COPPER, GOLD PLATED;
    - 2.4 SHELL: COPPER ALLOY, BLACK DOPE PLATED;
    - 2.5 FERRULE: COPPER ALLOY, NICKEL PLATED;
    - 2.6 END CAP: COPPER ALLOY, GOLD PLATED;
    - 2.7 GASKET: SILICON RUBBER, COLOR: RED;
  3. ELECTRICAL:
    - 3.1 IMPEDANCE: 50 Ohm (NOMINAL);
    - 3.2 FREQUENCY RANGE: 0~6 GHz;
    - 3.3 VSWR: 1.30 MAX. (DC TO 3 GHz);
    - 3.4 CONTACT RESISTANCE:
      - CENTER: 6 Milliohms, BODY: 2 Milliohms;
    - 3.5 WORKING VOLTAGE: 335 VRMS MAX.;
    - 3.6 DIELECTRIC WITHSTANDING VOLTAGE: 1000 VRMS MAX.;
    - 3.7 INSULATOR RESISTANCE: 5000 MEGOHMS MIN.;
  4. MECHANICAL & ENVIRONMENTAL:
    - 4.1 CENTER CONTACT RETENTION FORCE: 0.28 N MIN.;
    - 4.2 TORQUE FORCE: 0.15~0.5 kgf-cm;
    - 4.3 MECHANICAL DURABILITY: 500 CYCLES MIN.;
    - 4.4 TEMPERATURE RANGE: -55°C TO 155 °C;
  5. INCLUDE ASSEMBLY INSTRUCTIONS WITH EACH SHIPMENT;

X ± 0.3	X ±	UNITS	MM
.X ± 0.2	.X ±	MAT'L	
.XX ± 0.1	.XX ±	FINISH	
.XXX ±	.XXX ±		

NAME(INTENDED USE)	FOXCONN
CUSTOMER DRAWING	HON HAI PRECISION IND. CO.,LTD. TAIPEI, TAIWAN, R.O.C.
PART NO.(INTENDED USE)	RP SMA PLUG FOR RG 178 CABLE
APPD:	L.C. WU Jan.30'2008
CHKD:	J.P. Chen Jan.30'2008
DR:	WEI LAI Jan.29'2008
DWG NO.:	389-0000-168
SCALE	4:1
SHEET	1/1
REV.	A

THESE DRAWINGS AND SPECIFICATIONS ARE THE PROPERTY OF HON HAI PRECISION IND. CO.,LTD. ANY REPRODUCTION OR USE IN ANY MANNER WITHOUT THE PRIOR WRITTEN CONSENT OF HON HAI PRECISION IND. CO., LTD.