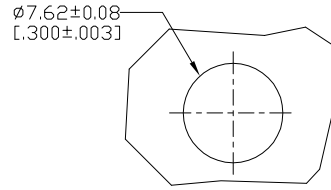
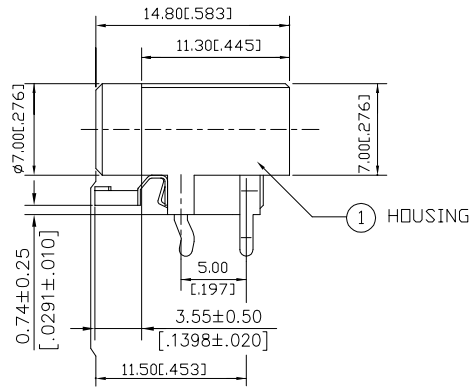
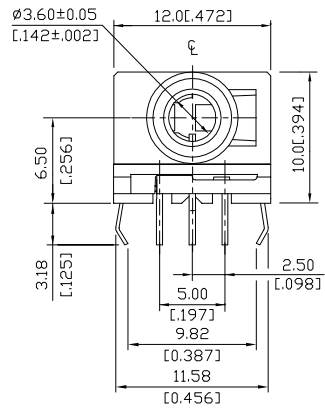
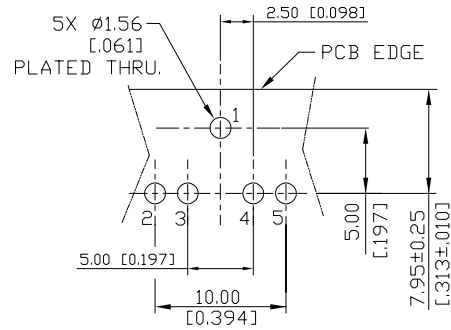


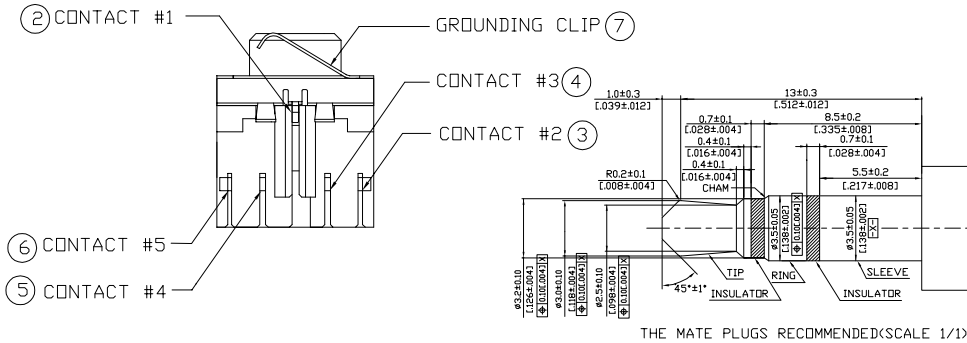
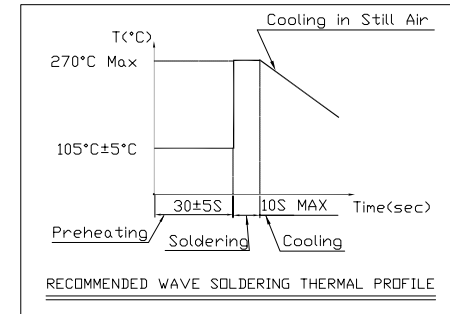
REV.	ECN. NO.	APPD.
A	BC05712787	COREL
B	BC06721850	COREL



RECOMMENDED PANEL CUTOUT



RECOMMENDED PC BOARD LAYOUT
THE TOLERANCE OF .XX IS ±0.05 [0.002]



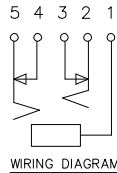
- NOTES:
 1 RECOMMENDED THICKNESS OF P.C.B. : 1.57 [0.062] ± 0.08 [0.003].
 2 ELECTRICAL SPECIFICATION:
 2-1 CURRENT RATING : 1 AMPER PER CONTACT.
 2-2 DIELECTRIC WITHSTANDING VOLTAGE : 500 VAC MIN.
 2-3 INSULATION RESISTANCE : 100 MEGOHMS MIN.
 2-4 CONTACT RESISTANCE : 30 MILLIOHMS MAX.
 3 MECHANICAL SPECIFICATION:
 3-1 INSERTION AND EXTRACTION FORCE: 0.3~3.0 KgF.
 3-2 DURABILITY : 5000 CYCLES.
 3-3 OPERATING TEMPERATURE AND HUMIDITY RANGE:
 -25°C TO +85°C, 85% RH OR LESS.

4 PART NO.
 J A 1 3 3 3 * - N 2 * 7 - 4 F
 EXTENSION CODE

CONTACT PLATING
 1=GOLD FLASH
 L=25u"Pd/Ni+GOLD FLASH

COLOR OF HOUSE
 0=BLACK
 1=PINK 701C
 2=ORANGE 157C
 3=LIGHT BLUE 284C
 4=LIME 577C

5 *ROHS* COMPLIANT.



ITEM	DESC.	Q'TY	MATERIAL	TREATMENT	REMARK
7	GROUNDING CLIP	1	COPPER ALLOY	NICKLE PLATING	
6	CONTACT #5	1	COPPER ALLOY	PLATING AT CONTACT AREA (SEE NOTES 5) GOLD FLASH PLATING AT TAIL 50~90u" NICKLE UNDERPLATING	
5	CONTACT #4	1	COPPER ALLOY	NICKEL PLATING OVERALL, GOLD FLASH AT CONTACT AREA, GOLD FLASH PLATING AT TAIL	
4	CONTACT #3	1	COPPER ALLOY	NICKEL PLATING OVERALL, GOLD FLASH AT CONTACT AREA, GOLD FLASH PLATING AT TAIL	
3	CONTACT #2	1	COPPER ALLOY	PLATING AT CONTACT AREA (SEE NOTES 5) GOLD FLASH PLATING AT TAIL 50~90u" NICKLE UNDERPLATING	
2	CONTACT #1	1	COPPER ALLOY	PLATING AT CONTACT AREA (SEE NOTES 5) GOLD FLASH PLATING AT TAIL 50~90u" NICKLE UNDERPLATING	
1	HOUSING	1	THERMOPLASTIC UL 94V-0	MOLDED COLOR: SEE NOTES 5	

UNITS	NAME (INTENDED USE)	FOXCONN
M/M(INCH)	CUSTOMER	HON HAI PRECISION IND. CO.,LTD. TAIPEI, TAIWAN, R.O.C.
MAT'L	PART NO.(INTENDED USE)	TITLE: AUDIO JACK Ø3.50 KINK TYPE
N/A	JA1333*-N2*7-4F	DWG NO.: 305-0000-1369
FINISH	APPD:	Corel Zhu 4/22'06
N/A	CHKD:	Sean Han 4/22'06
Q'TY	DR:	Tom Wang 4/22'06
N/A		SCALE SHEET REV. 1:1 1/1 B

THESE DRAWINGS AND SPECIFICATIONS ARE THE PROPERTY OF HON HAI PRECISION IND. CO., LTD. AND SHALL NOT BE REPRODUCED, COPIED OR USED IN ANY MANNER WITHOUT THE PRIOR WRITTEN CONSENT OF HON HAI PRECISION IND. CO., LTD.