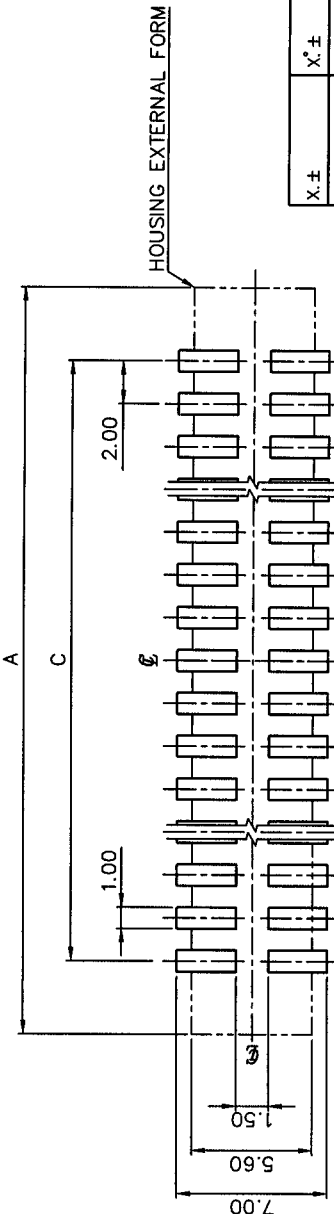
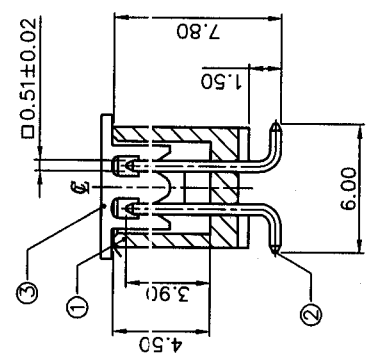
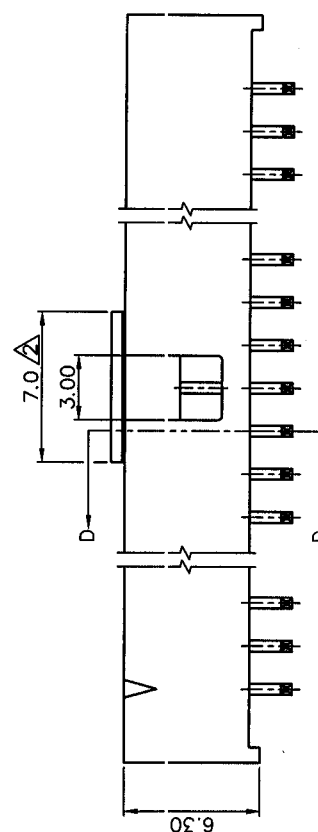
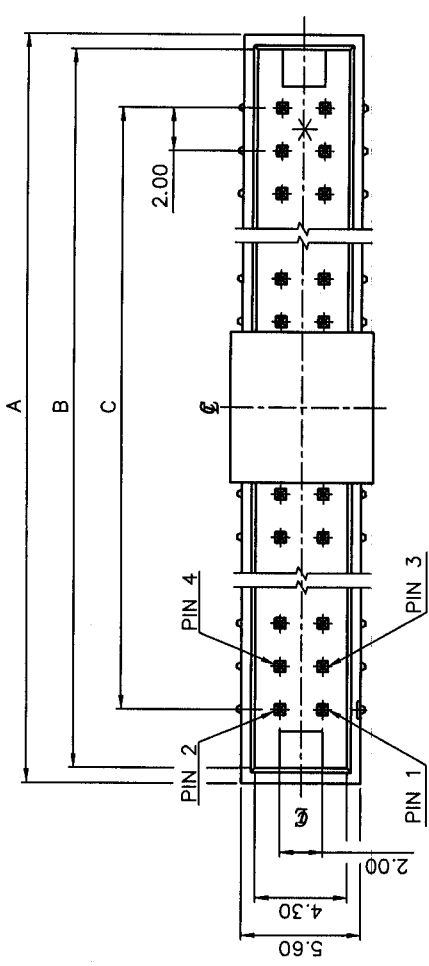


REV.	ECN. NO.	APPD.
A	MC01161	<i>Yi-Chin Chen</i>

NOTE: UNLESS OTHERWISE SPECIFIED  
 1. DIMENSIONS SHALL BE INTERPRETED PER ANSI Y14.5M-1994  
 2. CAP TO BE POSITIONED IN THE CENTER OF HEADER FOR PICKING AND PLACING  
 3. PRODUCTION SPECIFICATION PER DWG. NO. 307-0100-082  
 4. MATERIAL OF ①, ② AND ③ ARE SHOWN ON DWG. NO. 307-0100-083.

① NONE: PACKING IN TRAY AND WITHOUT CAP  
 ② T: PACKING IN TUBE AND WITHOUT CAP  
 ③ R: PACKING IN TAPE & REEL AND WITH CAP



SEC: D-D

HS5425*-□	25/50	54.80	53.40	48.00
HS5422*-□	22/44	48.80	47.40	42.00
HS5420*-□	20/40	44.80	43.40	38.00
HS5417*-□	17/34	38.80	37.40	32.00
HS5414*-□	14/28	32.80	31.40	26.00
HS5410*-□	10/20	24.80	23.40	18.00
HS5405*-□	5/10	14.80	13.40	8.00
PROD. NO.	NO. OF POS.	DIM. A DIM. B DIM. C		

NAME (INTENDED USE)		SHROUDED HEADER, SMT.	
PART NO. (INTENDED USE)		HS54 SERIES	
UNITS		mm	
MAT'L			
FINISH			
QTY			
TITLE:		CUSTOMER DRAWING	
APPD:		<i>Yi-Chin Chen</i>	
CHKD:		<i>Wen-Lin Chen</i>	
DR:		Jessie Peng 6/30/01	
SCALE		N/A 1/3	
REV.		A	

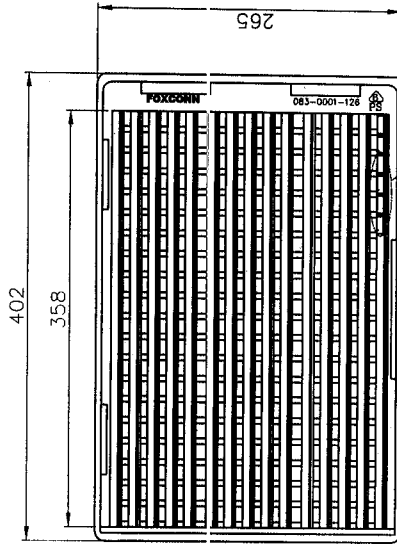
RECOMMENDED P.C.B. LAYOUT

FOXCONN  
 HON HAI PRECISION IND. CO., LTD.  
 TAIPEI, TAIWAN, R.O.C.

DWG NO.: 307-0100-161

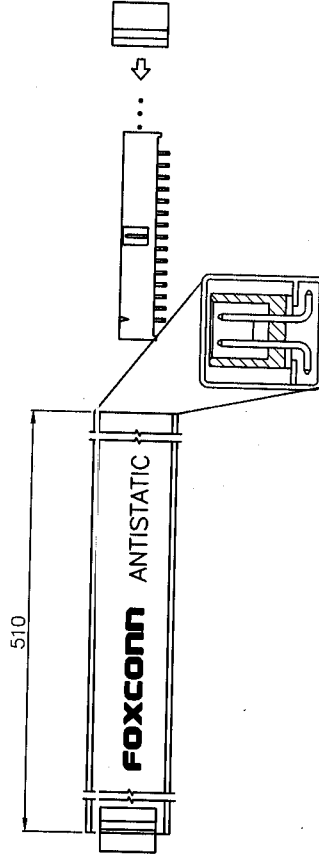
WITHOUT CAP

PACKING IN TRAY



WITHOUT CAP

PACKING IN TUBE



X.±	X.± 0.5°	UNITS	mm
.X±	.X±	MAT'L	
.XX±	0.25 .XX±	FINISH	
.XXX±	.XXX±	QTY	

THESE DRAWINGS AND SPECIFICATIONS ARE THE PROPERTY OF HON HAI PRECISION IND. CO., LTD. NO PARTS THEREOF SHALL BE REPRODUCED, COPIED, OR USED IN ANY MANNER WITHOUT THE PRIOR WRITTEN CONSENT OF HON HAI PRECISION IND. CO., LTD.

NAME (INTENDED USE)  
SHROUDED HEADER, SMT  
PART NO. (INTENDED USE)

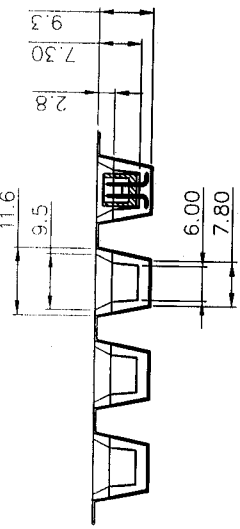
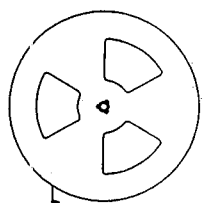
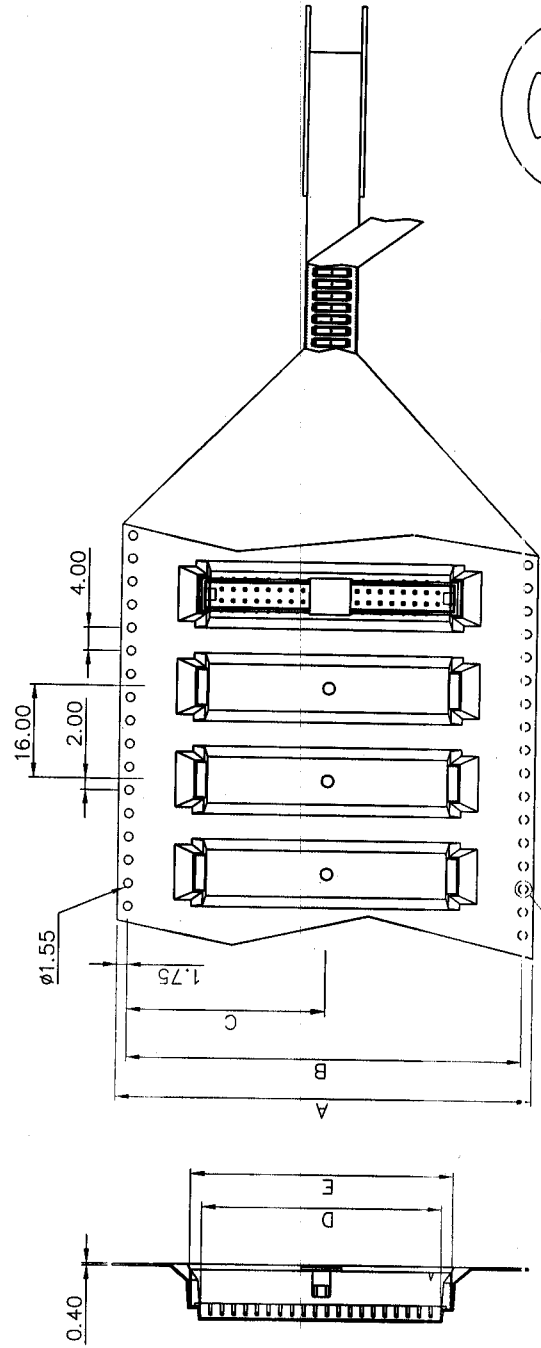
APPD: *Ms. Lin Chen 7/6/01*  
CHKD: *W. H. Lin 7/6/01*  
DR: *Jessie Peng 6/30/01*

FOXCONN  
HON HAI PRECISION IND. CO., LTD.  
TAIPEI, TAIWAN, R.O.C.

TITLE: CUSTOMER DRAWING  
DWG NO.: 307-0100-161  
SCALE: SHEET 2/3  
REV. A

REV.	ECN.	NO.	APPD.

REV.	ECN.	NO.	APPD.



NO. OF POS	DIM.A	DIM.B	DIM.C	DIM.D	DIM.E	QTY PER REEL
22/44	72.0	68.40	34.20	45.4	49.1	400 PCS/REEL
20/40	72.0	68.40	34.20	41.4	45.1	400 PCS/REEL
14/28	56.0	52.40	26.20	29.4	33.1	400 PCS/REEL
PROC. P/N						

X.±	X.± 0.5°	UNITS	mm
.X.±	.X.±	MAT'L	
.XX.±	.XX.±	FINISH	
.XXX.±	.XXX.±	QTY	
<small>THESE DRAWINGS AND SPECIFICATIONS ARE THE PROPERTY OF HON HAI PRECISION IND. CO., LTD., AND SHALL NOT BE REPRODUCED OR TRANSMITTED IN ANY MANNER WITHOUT THE PRIOR WRITTEN AND EXPLICIT CONSENT OF HON HAI PRECISION IND. CO., LTD.</small>			
NAME (INTENDED USE)		SHROUDED HEADER, SMT	
PART NO. (INTENDED USE)		CUSTOMER DRAWING	
APPD:		Hsiang-Chuan 26/01	
CHKD:		Wolfe Lin 26/01	
DR:		jessie peng 6/30/01	
FOXCONN		HON HAI PRECISION IND. CO., LTD.	
TAIPEI, TAIWAN, R.O.C.		DWC NO. 307-0100-161	