

**SPECIFICATIONS**

**Friction Header Connector**

**Mechanical**

**Contact Retention Force:** 2.0 KGF Min  
**Durability:** 500 Cycles

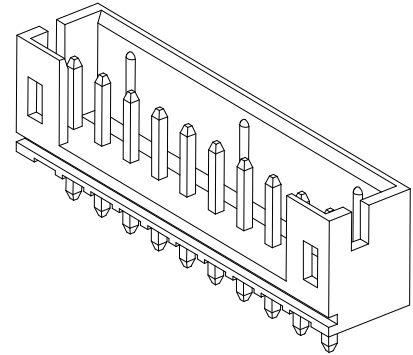
**HF55 Series**  
**Friction T/H Type**  
**2.00mm [.079"] Pitch**

**Electrical**

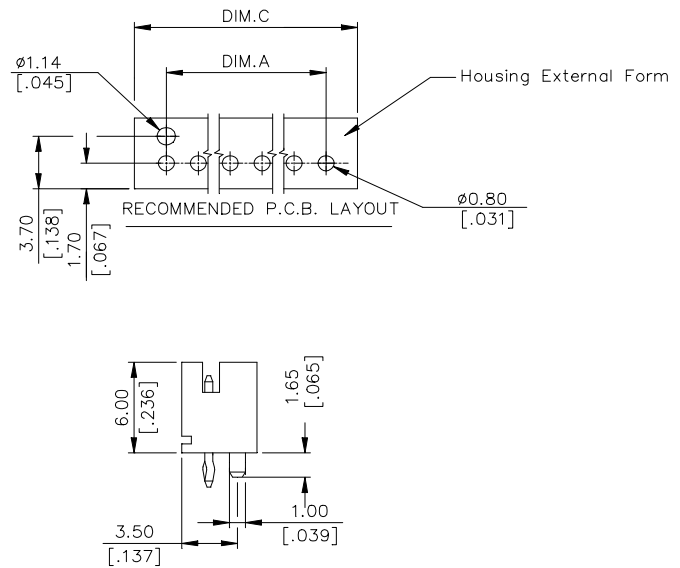
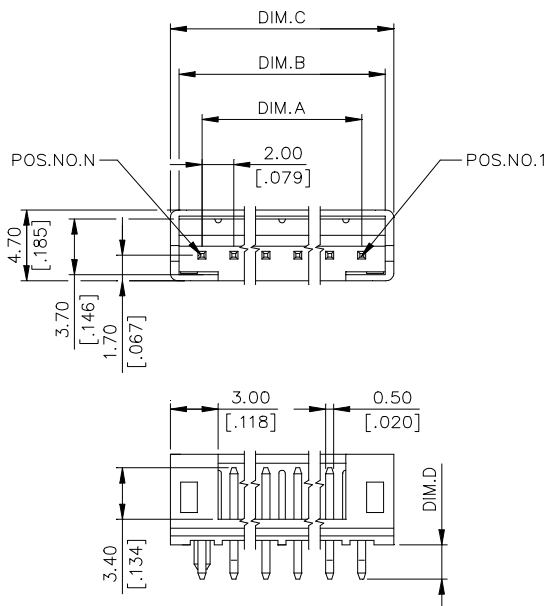
**Voltage Rating:** 800V  
**Current Rating:** 2.0A per pin min  
**Insulation Resistance:** 1000MW min

**Physical**

**Housing:** Thermoplastic, Glass Filled , UL94V-0 Rating  
**Contact:** Copper Alloy  
**Plating:** See "ORDERING INFORMATION"  
**Operating Temperature:** -40 to +105



**DRAWING**



**ORDERING INFORMATION**

**PRODUCT NO.:** H F 5 5 \* \* \* - \* \* \* \*

Header \_\_\_\_\_  
 High Friction Header \_\_\_\_\_  
 Termination & Contact Type \_\_\_\_\_  
 No. Of Pos \_\_\_\_\_  
 2=2 Pos  
 3=3 Pos  
 .....  
 15=15 Pos

Housing Material  
 None:Housing Material PA4.6  
 N:Housing Meterial PA6.6  
 Color White  
 See Remark 1  
 Optional For Housing Color  
 N : Housing Color Ivory  
 B : BLACK  
 R : Red  
 Optional For Plating  
 0=100u" Tin/Lead  
 E=1000u" min. Tin with  
 Lead free "RoHS Compliance"

HF5515*-* ** *	15	28.00 [1.103]	31.00 [1.221]	32.00 [1.261]
HF5514*-* ** *	14	26.00 [1.024]	29.00 [1.142]	30.00 [1.182]
HF5513*-* ** *	13	24.00 [.945]	27.00 [1.064]	28.00 [1.103]
HF5512*-* ** *	12	22.00 [.867]	25.00 [.985]	26.00 [1.024]
HF5511*-* ** *	11	20.00 [.788]	23.00 [.906]	24.00 [.945]
HF5510*-* ** *	10	18.00 [.709]	21.00 [.827]	22.00 [.867]
HF5509*-* ** *	9	16.00 [.63]	19.00 [.748]	20.00 [.788]
HF5508*-* ** *	8	14.00 [.552]	17.00 [.67]	18.00 [.709]
HF5507*-* ** *	7	12.00 [.473]	15.00 [.591]	16.00 [.63]
HF5506*-* ** *	6	10.00 [.394]	13.00 [.512]	14.00 [.552]
HF5505*-* ** *	5	8.00 [.315]	11.00 [.433]	12.00 [.473]
HF5504*-* ** *	4	6.00 [.236]	9.00 [.355]	10.00 [.394]
HF5503*-* ** *	3	4.00 [.158]	7.00 [.276]	8.00 [.315]
HF5502*-* ** *	2	2.00 [.079]	5.00 [.197]	6.00 [.236]
P/N	POS.	DIM. A	DIM. B	DIM. C

**Remark 1**

CODE	DESCRIPTION			
	DIM.D	KINK	POST	MISSING PIN
NONE	3.40	YES	NONE	FULL PIN
P1	3.40	YES	YES	FULL PIN
P2	3.40	NO	YES	FULL PIN
P3	3.40	YES	NONE	PIN #2
P4	3.40	NONE	NONE	FULL PIN
P8	3.40	YES	NONE	PIN #7
C1	2.16	NO	YES	FULL PIN
C2	2.16	NO	YES	PIN #7
D5	3.40	YES	NONE	PIN #3
D6	3.40	YES	NONE	PIN #5
D7	3.40	YES	NONE	PIN #4