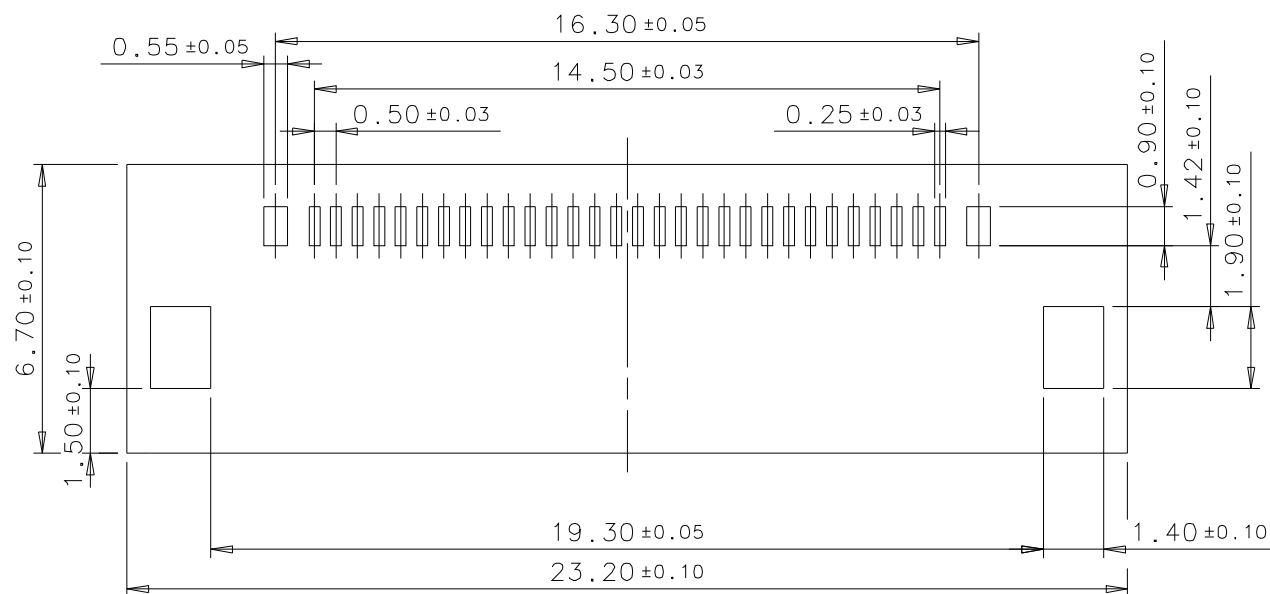
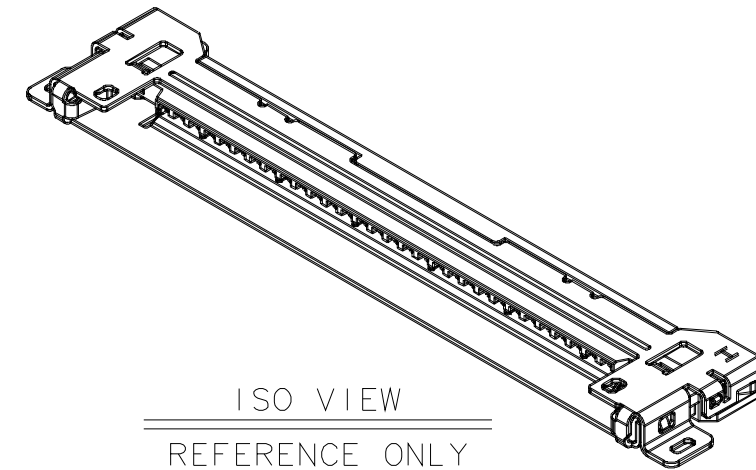
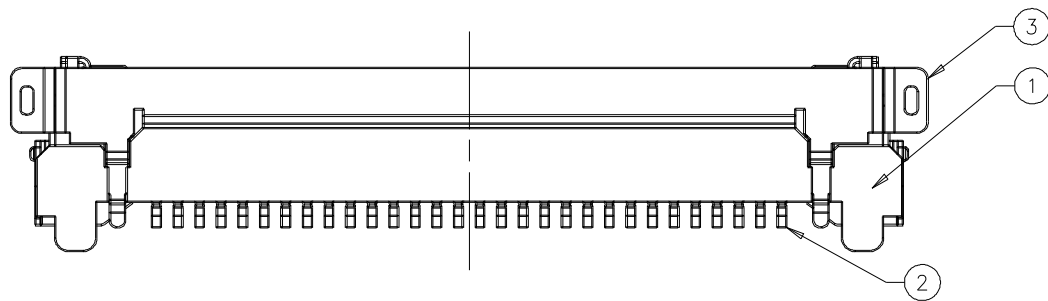
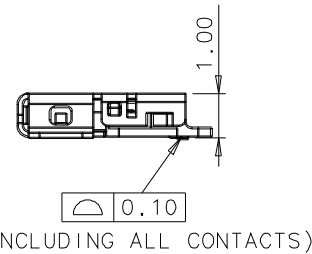
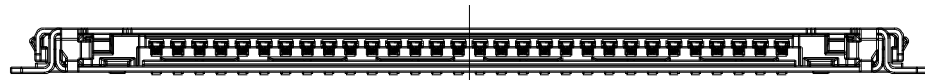
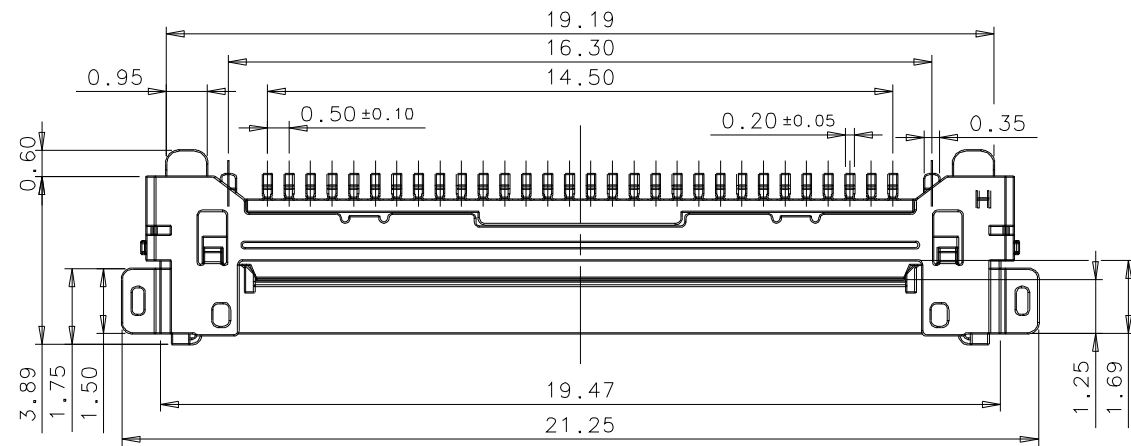


IDEAS GENERATED DRAWING. DON'T CHANGE BY HAND.

| | | |
|------|---------------|-----------|
| REV. | ECN. NO. | APPD. |
| A | BC-10-0044320 | Simon Szu |

NOTES:

1. DIMENSION SHALL BE INTERPRETED PER ASME Y14,5M-1994
2. ELECTRICAL CHARACTERISTICS:
2-1: CURRENT RATING:
2-2: VOLTAGE RATING: 100V AC.
2-3: INSULATION RESISTANCE: 1000MΩ MIN. AT DC250V.
3. MECHANICAL CHARACTERISTICS:
3-1: DURABILITY (MATING CYCLES): 30 CYCLES
4. ENVIRONMENTAL CHARACTERISTICS:
4-1: OPERATION TEMPERATURE: -40°C TO +85°C.
5. PLEASE CONTACT FOXCONN SALES REPRESENTATIVE TO VERIFY PRODUCT DETAILS & AVAILABILITY.

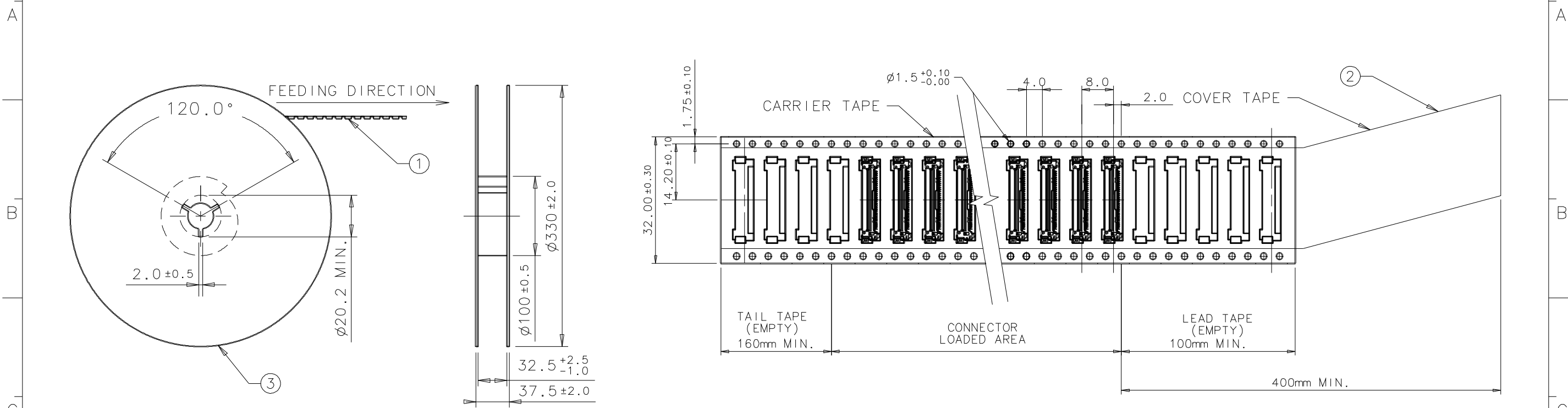


RECOMMENDED PCB LAYOUT

| ITEM | DESCRIPTION | MATERIAL | QT'Y | REMARK | | | | | | |
|--|-------------|---------------|---|--|-------|-------|------|-----|-----|---|
| ③ | SHELL | COPPER ALLOY | 1 | Ni UNDER PLATING GOLD PLATING OVER SOLDER AREA | | | | | | |
| ② | CONTACT | COPPER ALLOY | 30 | Ni UNDER PLATING GOLD PLATING ON THE CONTACT AREA GOLD PLATING ON THE SOLDER AREA | | | | | | |
| ① | HOUSING | THERMOPLASTIC | 1 | COLOR: BLACK, UL94V-0 | | | | | | |
| X. ± 0.30 | X. ° ± | UNITS mm | FOXCONN HON HAI PRECISION IND. CO., LTD. TAIPEI, TAIWAN, R.O.C. TITLE: CUSTOMER DRAWING DWG NO.: 357-0000-1303 | | | | | | | |
| .X ± 0.25 | .X ° ± | MAT'L | | | | | | | | |
| .XX ± 0.20 | .XX ° ± | FINISH | | | | | | | | |
| .XXX ± | .XXX ° ± | Q'TY | | | | | | | | |
| THESE DRAWINGS AND SPECIFICATIONS ARE THE PROPERTY OF HON HAI PRECISION IND. CO., LTD. AND SHALL NOT BE REPRODUCED, COPIED OR USED IN ANY MANNER WITHOUT THE PRIOR WRITTEN CONSENT OF HON HAI PRECISION IND. CO., LTD. | | | | NAME (INTENDED USE) 0.5P H=1.0mm 30POS. CTB CONNECTOR PART NO. (INTENDED USE) GS13301-1110S-7H APPD: Simon Szu CHKD: Brad Hsu DR: Jason Lin | | | | | | |
| | | | | <table border="1"> <tr> <td>SCALE</td> <td>SHEET</td> <td>REV.</td> </tr> <tr> <td>N/A</td> <td>1/2</td> <td>A</td> </tr> </table> | SCALE | SHEET | REV. | N/A | 1/2 | A |
| SCALE | SHEET | REV. | | | | | | | | |
| N/A | 1/2 | A | | | | | | | | |

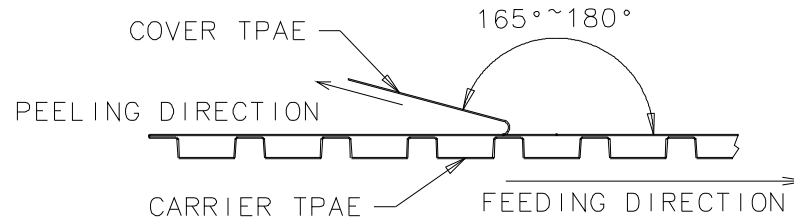
IDEAS GENERATED DRAWING. DON'T CHANGE BY HAND.

| | | |
|------|----------|-------|
| REV. | ECN. NO. | APPD. |
| | | |



NOTES:

- 10 POCKETS HOLE PITCH CUMULATIVE TOLERANCE ±0.20mm.
- COVER TAPE PEELING STRENGTH : 0.1 Kgf MAX. AT 300mm/min.



3. PACKAGING CAPACITY:

| POS | PCS/REEL | REEL/BOX | PCS/BOX |
|-----|----------|----------|---------|
| 30 | 4000 | 7 | 28000 |

| ITEM | DESCRIPTION | MATERIAL |
|------|--------------|-------------|
| ③ | REEL | POLYSTYRENE |
| ② | COVER TAPE | POLYESTER |
| ① | CARRIER TAPE | POLYSTYRENE |

| X. ± | X. ° ± | UNITS | NAME (INTENDED USE) | FOXCONN HON HAI PRECISION IND. CO., LTD. TAIPEI, TAIWAN, R.O.C. | | | |
|--|----------|--------|---|--|-------|-------|------|
| .X ± | .X ° ± | MAT'L | 0.5P H=1.0mm 30POS. CTB CONNECTOR | | | | |
| .XX ± | .XX ° ± | FINISH | PART NO. (INTENDED USE) GS13301-1110S-7H | TITLE: CUSTOMER DRAWING | | | |
| .XXX ± | .XXX ° ± | | APPD: Simon Szu | DWG NO.: 357-0000-1303 | | | |
| THESE DRAWINGS AND SPECIFICATIONS ARE THE PROPERTY OF HON HAI PRECISION IND. CO., LTD. AND SHALL NOT BE REPRODUCED, COPIED OR USED IN ANY MANNER WITHOUT THE PRIOR WRITTEN CONSENT OF HON HAI PRECISION IND. CO., LTD. | | | Q'TY | CHKD: Brad Hsu | SCALE | SHEET | REV. |
| | | | DR: Jason Lin | ⊕ | N/A | 2/2 | A |