

SPECIFICATIONS

FPC/FFC Connector

Mechanical

Unmating Force with FPC/FFC: 0.125 Kgf min.
Durability: 30 Cycles

GB72 Series

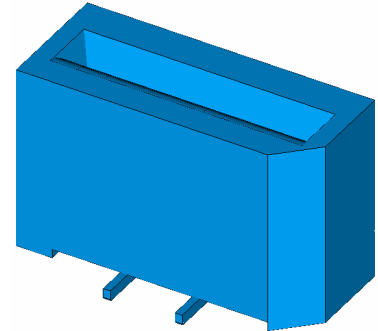
1.0mm [.039"] Pitch
LIF Type
5Pos.

Electrical

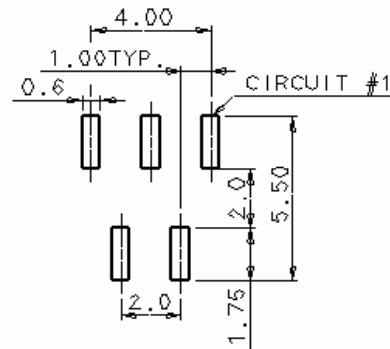
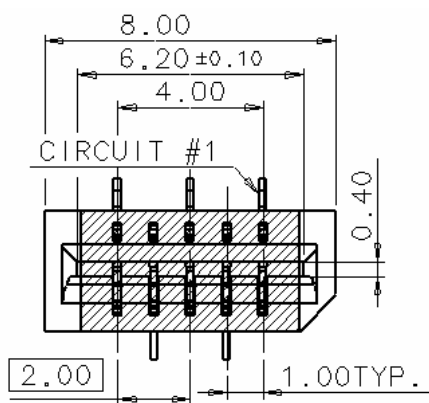
Current Rating: 0.5A DC
Contact Resistance: 50mΩ Max. (initial) , 100mΩ Max. (after)
Dielectrical Withstanding Voltage: 500V AC/1 min
Insulation Resistance: 500 MΩmin.

Physical

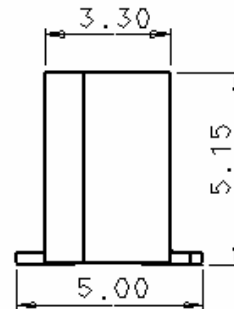
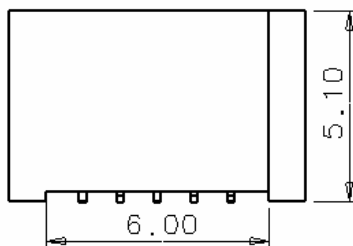
Housing: Thermoplastic, UL 94V-0 rated in Natural Color
Contact: Copper alloy
Plating: Nickel Base Plating
 Tin Plating on Contact Area
Operating Temperature: -40°C to +85°C



DRAWING



PCB PATTERN LAYOUT
 TOLERANCE: ±0.05mm



ORDERING INFORMATION

GB72050-26511-8F

PITCH: 7=1.0mm
 2= VERTICAL INSERTION
 POS. NO.: (N)05=5POS
 CONTACT AREA PLATING:
 0=TIN PLATING
 1=GOLD PLATING

LEAD FREE CODE:
 F=LEAD FREE
 8=TAPE&REEL WITH PI-FILM
 EXTENTION CODE
 PROFILE HEIGHT: 51=5.15mm
 LIF STRUCTURE: 6=SINGLE SIDE
 SOLDER TAIL:
 2=DUAL ROW WITH TIN PLATING
 3=DUAL ROW WITH GOLD PLATING