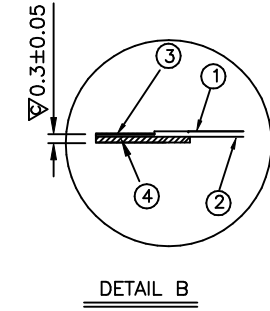
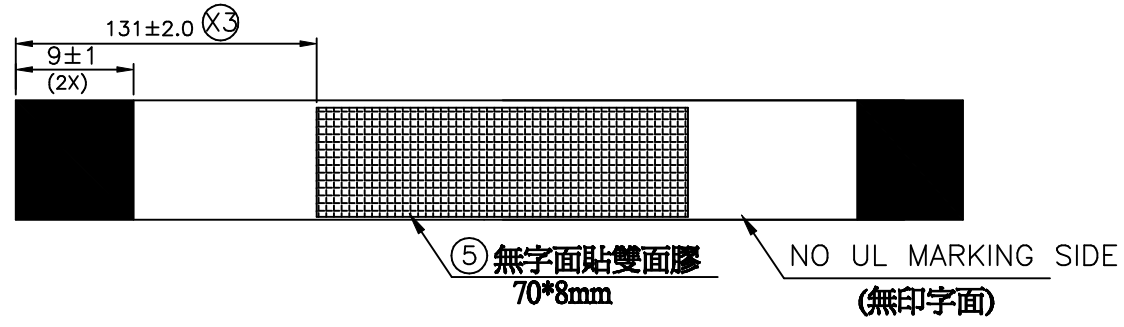
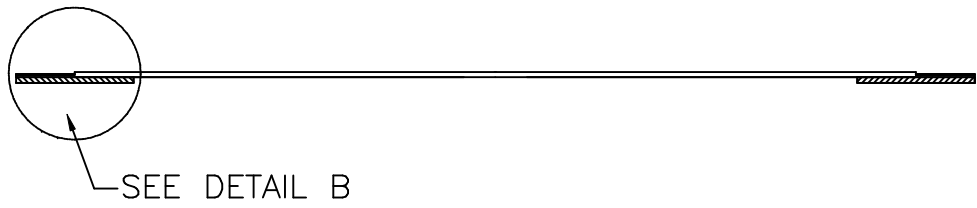
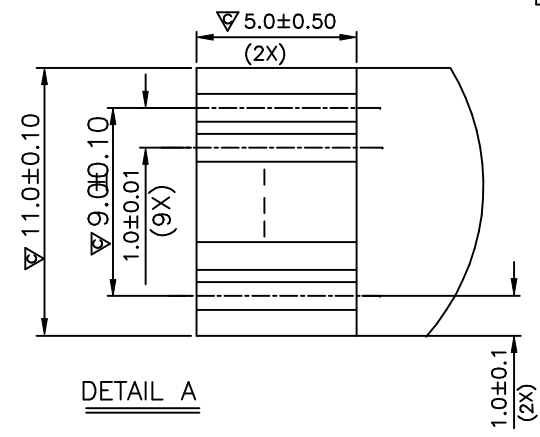
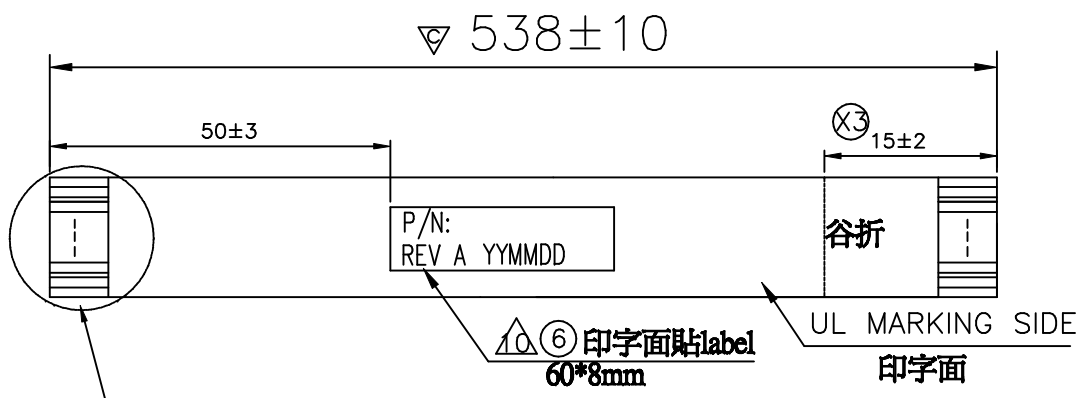


REV.	SWR. NO.	APPD.
X1	BC-14-XXXXXXX	Jerry Wu 12/08'14
X2	BC-14-XXXXXXX	Jerry Wu 12/08'14
X3	BC-14-XXXXXXX	Jerry Wu 12/08'14



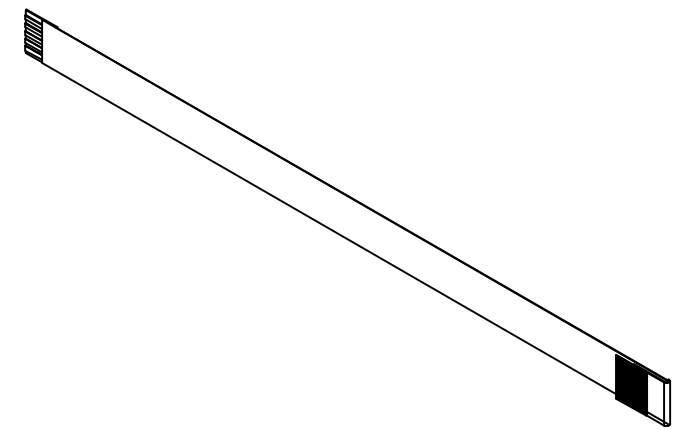
ITEM	DESCRIPTION	FOXCONN P/N	REMARK
⑥	LABEL	081-0070-317	17*6mm
⑤	D/S TAPE	085-7008-1926	70*8mm
④	BACKING TAPE	906-6631-001	BLUE,T=0.128mm
③	TINNED COPPER WIRE (導體)	907-2921-001	0.7*0.1
②	POLYESTER FILM (皮膜)	012-0001-2109	UL20624 80°C 60V
①	W/ POLYESTER ADHESIVE	012-1001-2109	WHITE,T=0.08mm
COMPONENT PARTS LIST			

X.±	X°.±	UNITS	mm	NAME(INTENDED USE)	FOXCONN®
.X± 0.5	.X°.±	MAT'L		PART NO.(INTENDED USE)	FOXCONN INTERCONNECT TECHNOLOGY LIMITED
.XX±	.XX°.±	FINISH		FF10K05-0M-0P	TITLE: 1.0 mm PITCH FFC,
.XXX±	.XXX°.±			APPD: Jerry Wu 12/08'14	DWG NO.: 364-0000-XXXX
THESE DRAWINGS AND SPECIFICATIONS ARE THE PROPERTY OF HON HAI PRECISION IND. CO., LTD. AND SHALL NOT BE REPRODUCED, COPIED OR USED IN ANY MANNER WITHOUT THE PRIOR WRITTEN CONSENT OF FOXCONN INTERCONNECT TECHNOLOGY LIMITED				Q'TY	CHKD: WenQiang Lan 12/08'14
					DR: Juan Liang 12/08'14

REV.	ECN.	NO.	APPD.

NOTES:

- DIMENSIONS SHALL BE INTERPRETED PER ANSI Y14.5M-1994.
圖面尺寸要符合 ANSI Y14.5M-1994.
 - RATING: UL20624, VW-1 FLAME RATED, 60 V 80°C.
等級: UL20624, VW-1, 60V 80°C
 - MATERIAL:
LAMINATE: POLYESTER FILM (32 MICRONS)
碾壓皮膜: 聚酯膠膜 (32微米).
WITH POLYESTER ADHESIVE (48 MICRONS)
聚酯熔膠 (48微米).
CONDUCTOR: TINNED PLATED COPPER, 0.1mm THICK * 0.7mm WIDE.
導體: 鍍錫銅線, 0.1mm*0.7mm.
 - ELECTRICAL:
DIELECTRIC STRENGTH: 500 V AC/40ms, I=0.5mA MAX.
耐電壓: 500 V AC/40ms. 漏電流: 0.5mA MAX.
INSULATION RESISTANCE: 10 MEGAOHMS MIN AT 500V DC/10ms.
絕緣阻抗: 500V DC/10ms, 最小10兆歐.
CONDUCTOR RESISTANCE: 0.3 OHMS/M MAX.
導體電阻: 最大 0.3歐/米.
 - OPERATING TEMPERATURE: -10°C ~ 80°C.
溫度: -10°~80°.
 - DIMENSIONS MARK ∇ SHALL BE CHECKED.
標註 ∇ 的尺寸要檢驗.
 - HARMFUL MATERIAL CONTROL PLEASE FOLLOW DOC. NO."EPI12".
本產品.制程之原物料/零件必須符合EPI12環境管理物質規定.
 - THE MANUFACTURE PROCESS MUST BE LEAD FREE AND CONTROLLED BY RoHS.
生產制程必須無鉛且符合RoHS.
- \triangle CABLE SURFACE MARKING: FOXCONN-GFL AWM 20624 80C 60V VW-1.
CABLE表面印有: FOXCONN-GFL AWM 20624 80C 60V VW-1.
- \triangle "YY"PRESENT THE LAST TWO DIGITALS OF THE YEAR,"MM"PRESENT THE MONTH,
"DD"PRESENT THE DAY, TEXT HEIGHT IS 2.0mm MIN.
"YY"代表西元年最後兩位數字,"MM"代表生產月份,"DD"代表生產日期,字體高度2.0mm最小.



X.±	X°.±	UNITS	mm	NAME(INTENDED USE)	FOXCONN® FOXCONN INTERCONNECT TECHNOLOGY LIMITED			
.X± 0.5	.X°.±	MAT'L		PART NO.(INTENDED USE)		TITLE: 1.0 mm PITCH FFC,		
.XX±	.XX°.±	FINISH		FF10K05-0M-0F	DWG NO.: 364-0000-XXXX			
.XXX±	.XXX°.±		Q'TY			APPD: Jerry Wu 12/08'14		
THESE DRAWINGS AND SPECIFICATIONS ARE THE PROPERTY OF HON HAI PRECISION IND. CO., LTD. AND SHALL NOT BE REPRODUCED, COPIED OR USED IN ANY MANNER WITHOUT THE PRIOR WRITTEN CONSENT OF FOXCONN INTERCONNECT TECHNOLOGY LIMITED				CHKD: WenQiang Lan 12/08'14		SCALE	SHEET	REV.
				DR: Juan Liang 12/08'14		N/A	2/2	X3