

VGA Connector

SPECIFICATIONS

Mechanical

Contact Engagement Force: 0.34kg (0.75Lb) max;
Contact Separation Force: 0.021kg (0.05Lb) min.
Durability: 500 Cycles;

Electrical

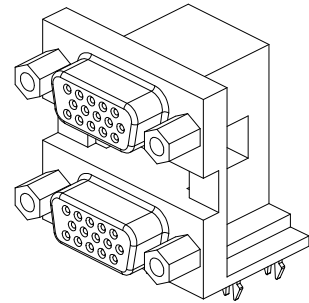
Current Rating: 2A;
Contact Resistance: 35mW max.
Dielectric Withstanding Voltage: 1000V AC/1min min.
Insulation Resistance: 5000MW min;

Physical

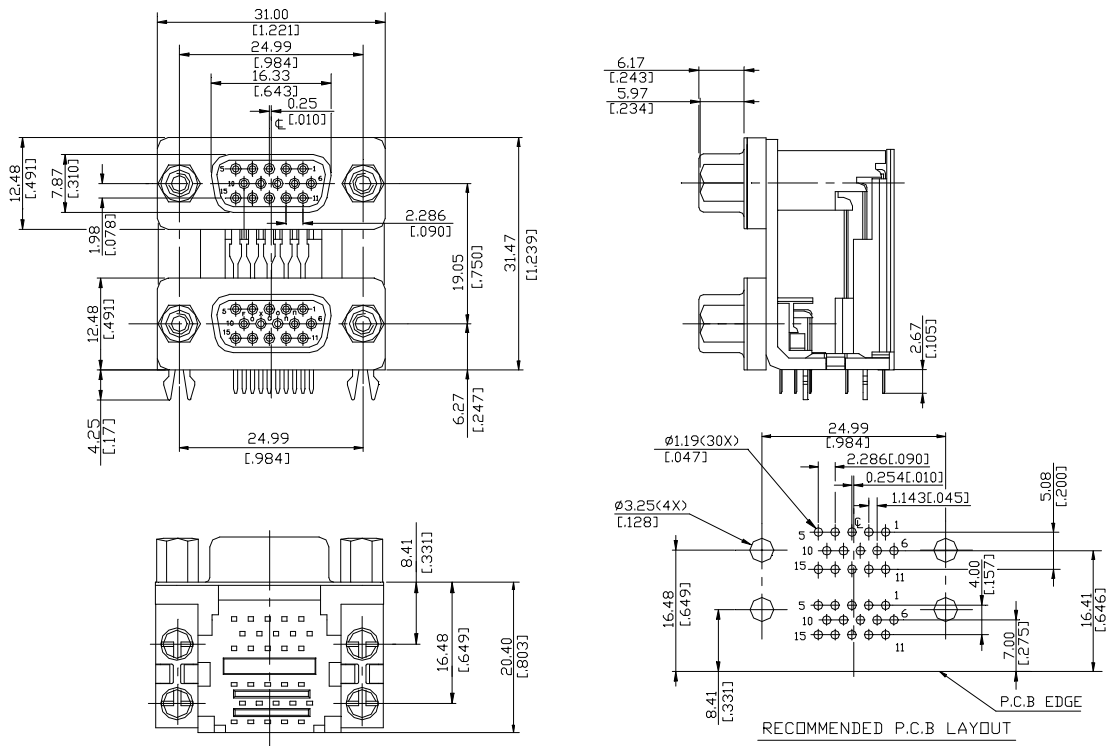
Housing: Thermoplastic, UL 94V-0 rated in Blue 661C Color
Contact: Copper alloy
Plating: See "ORDERING INFORMATION"
Operating Temperature: -20 to +85
Recommended Thickness of PCB: 1.57[.062]

DV Series

Right Angle Type, T/H
2.29mm [.090"] Pitch
15 Pos. (Female) +
15 Pos. (Female)



DRAWING



ORDERING INFORMATION

PRODUCT NO.: DV 1 1 2 5 * - H5V9 - 4F

- VGA Series
- Body Type
1=Right Angle
- Termination Type
1=Female
- No. of Pos.
2=H/D 15 Pos.
- Body Length
5=13.87 mm
- Lead Free Code
- Extension Code
- Contact Area Plating
1=Gold Flash
2=20m" Gold Plating
3=30m" Gold Plating