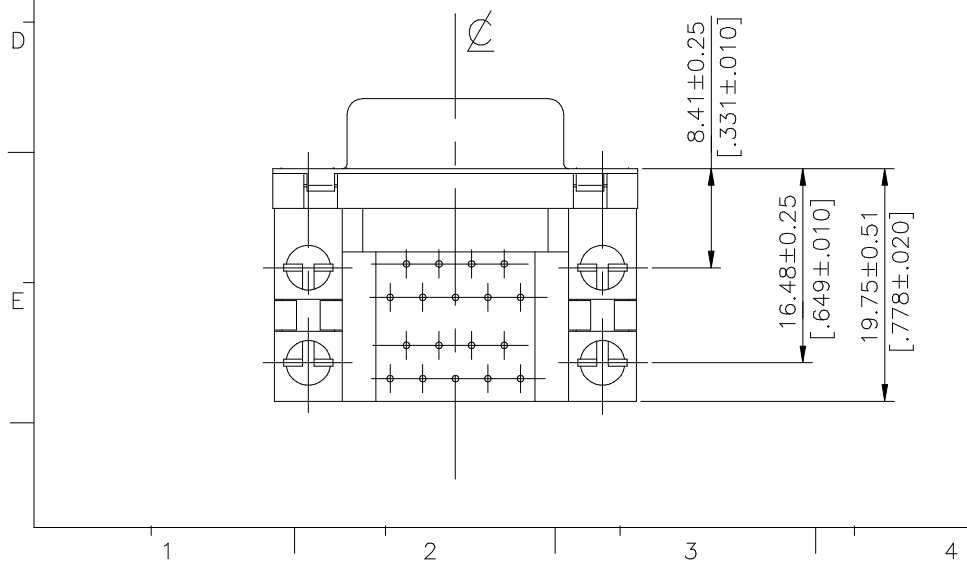
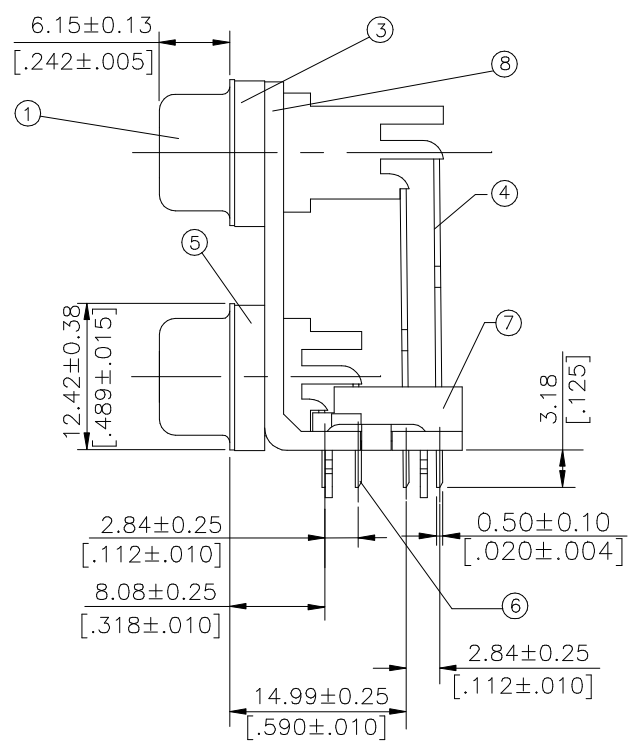
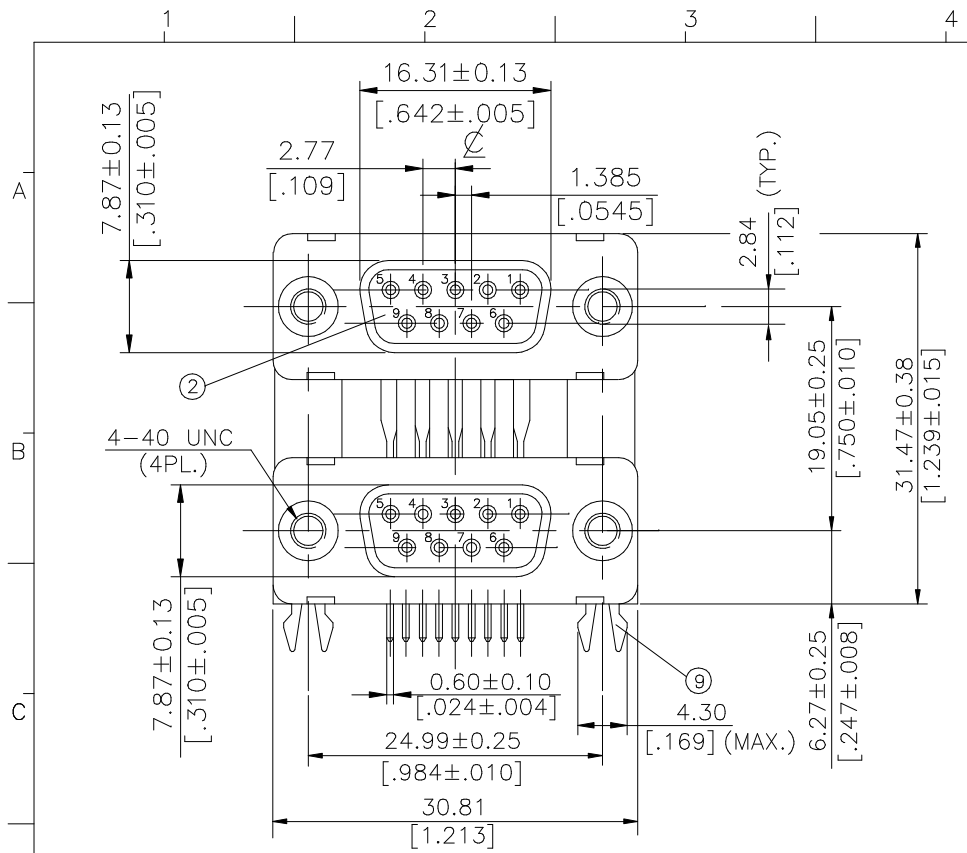


REV.	ECN. NO	APPD.
A	BC05723069	Corei Zhu



NOTES:

1. ALL BRACKETED DIMENSIONS ARE INCH
2. RECOMMENDED P.C. BOARD THICKNESS IS 1.57±0.08 [.062±.003]
3. RECOMMENDED PROCESS: WAVE SOLDER 260°C, 5 SECONDS; PREHEAT 100-105°C, 25-35 SECONDS.
4. RoHS COMPLIANT

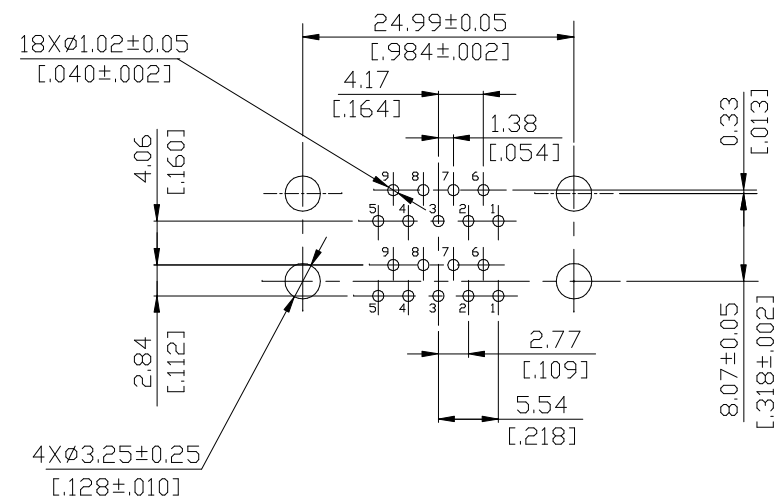
X.±	X°±	UNITS: mm [INCH]	NAME (INTENDED USE)	<b>FOXCONN</b> HON HAI PRECISION IND. CO., LTD. TAIPEI, TAIWAN, CHINA
.X±	.X°±	MAT'L	CUSTOMER	
.XX± 0.38 [.015]	.XX°±	N/A	PART NO. (INTENDED USE)	TITLE: DUAL PORT-PUPA FEMALE/FEMALE
.XXX±	.XXX°±	FINISH	DM1115*-76-4F	DWG NO.:
THESE DRAWINGS AND SPECIFICATIONS ARE THE PROPERTY OF HON HAI PRECISION IND. CO., LTD. AND SHALL NOT BE REPRODUCED, COPIED OR USED IN ANY MANNER WITHOUT THE PRIOR WRITTEN CONSENT OF HON HAI PRECISION IND. CO., LTD.			APPD: Corei Zhu 7/05'05	301-0000-1279
			CHKD: X.H. Xiang 7/05'05	SCALE SHEET REV.
			DR: Leveone .Shu 7/05'05	1:1 1/2 A

P/N : DM1115\*-76-4F

LEAD FREE

CONTACT GOLD PLATING AREA:

- 1=GOLD FLASH
- 2=20u"
- 3=30u"
- 6=10u"



THIS IS BOTTOM VIEW.

SPECIFICATION:

1.PERFORMANCE

1-1.ELECTRICAL CHARACTERISTICS:

- 1-1-1.CONTACT CURRENT RATING: 5 AMPERES--[UPPER]
- 1-1-2.CONTACT RESISTANCE: 35 milliohms(max.)--[UPPER]  
20 milliohms(max.)--[LOWER]
- 1-1-3.INSULATION RESISTANCE: 5000 Megohms min.
- 1-1-4.DIELECTRIC WITHSTANDING VOLTAGE:1000 VAC MIN

1-2.MECHANICAL CHARACTERISTICS

- 1-2-1.CONTACT ENGAGEMENT FORCE: 0.34kgf.( MAX.).
- 1-2-2.CONTACT SEPARATION FORCE: 0.021kgf.( MIN.).
- 1-2-3.CONTACT RETENTION FORCE: 4.08kgf.(min.)(AFTER ASS'Y)
- 1-2-4.OPERATING TEMPERATURE:-55 °C TO +105 °C

9	HOOK	2	COPPER ALLOY	TIN PLATED	
8	BRACKET & NUT	2	ZINC ALLOY	ZINC PLATED	
7	SPACER	1	THERMOPLASTIC UL 94-V0	MOLDED BLACK	
6	CONTACT-FEMALE	9	COPPER ALLOY	GOLD PLATING AT CONTACT AREA, TIN ALLOY (LEAD FREE) AT TAIL, OVER NICKEL OVERALL	
5	INSULATOR - FEMALE (REAR)	1	THERMOPLASTIC UL 94-V0	MOLDED BLACK	
4	CONTACT-FEMALE	9	COPPER ALLOY	GOLD PLATING AT CONTACT AREA, TIN ALLOY (LEAD FREE) AT TAIL, OVER NICKEL OVERALL	
3	INSULATOR - FEMALE (REAR)	1	THERMOPLASTIC UL 94-V0	MOLDED BLACK	
2	INSULATOR - FEMALE (FRONT)	2	THERMOPLASTIC UL 94-V0	MOLDED BLACK	
1	METAL SHELL - FEMALE	2	STEEL	TIN PLATED	
ITEM	DESC.	Q'TY	MATERIAL	TREATMENT	REMARK

X.±	X°±	UNITS	mm [INCH]	NAME(INTENDED USE)	<b>FOXCONN</b> HON HAI PRECISION IND. CO.,LTD. TAIPEI, TAIWAN, CHINA
.X±	.X°±	MAT'L	N/A	CUSTOMER	
.XX±0.08[.003]	.XX°±			PART NO.(INTENDED USE)	TITLE: DUAL PORT-PUPA FEMALE/FEMALE
.XXX±	.XXX°±	FINISH	N/A	DM1115*-76-4F	DWG NO.: 301-0000-1279
THESE DRAWINGS AND SPECIFICATIONS ARE THE PROPERTY OF HON HAI PRECISION IND. CO., LTD. AND SHALL NOT BE REPRODUCED COPIED OR USED IN ANY MANNER WITHOUT THE PRIOR WRITTEN CONSENT OF HON HAI PRECISION IND. CO., LTD.				APPD: Corei Zhu 7/05'05	
		Q'TY	N/A	CHKD: X.H. Xiong 7/05'05	
				DR: Leveone .Shu 7/05'05	
				SCALE	SHEET
				1:1	2/2
				REV.	A