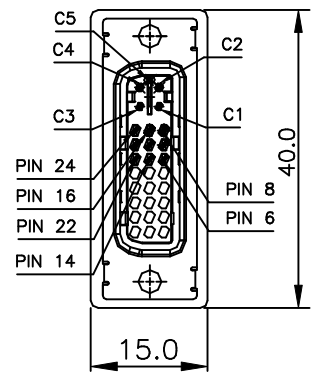
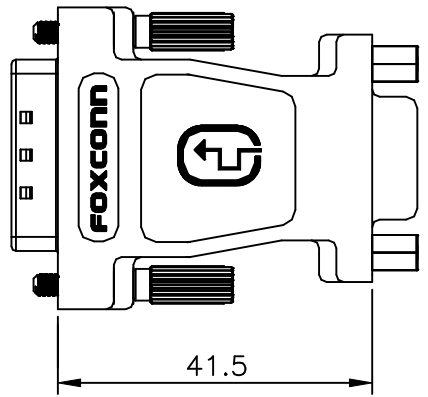


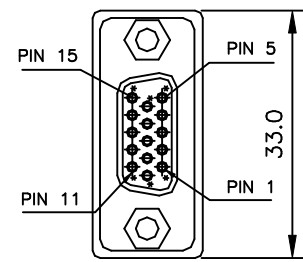
REV.	ECN.	NO.	APPD.
X1			



J1

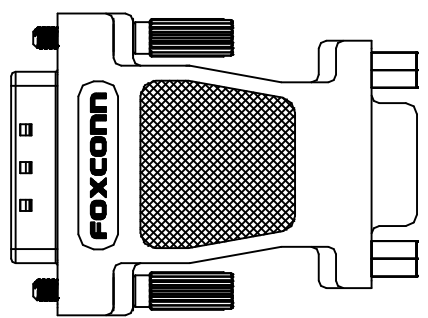
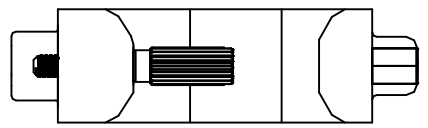


J2



FOXCONN CONFIDENTIAL

J1 DVI-I(M)	SIGNAL NAME	J2 HD-15(F)
6	DDC CLOCK	15
7	DDC DATA	12
8	VERTICAL SYNC	14
14	+5V POWER	9
16	HPD	9
C1	ANALOG RED	1
C2	ANALOG GREEN	2
C3	ANALOG BLUE	3
C4	HORIZONTAL SYNC	13
SHELL C5,15	GROUND	5,6,7,8,10 SHELL



10	COPPER FOIL	A/R	081-0008-229	W=35MM
9	PIN HEADER	1	070-0003-805	PITCH 2.54,G/F
8	RAW PCB	1	040-00F2-218	UL
7	RAW PCB	1	040-00F1-218	UL
6	JUMP WIRE	2	015-2820-455	28 AWG
5	OVERMOLD	1	005-0000-071	PVC COLOR BLACK
4	PERMOLD	1	005-0000-070	PE
3	SCREW	2	060-0001-547	4-40 UNC
2	HD-15(F)CONN.	1	070-00F1-804	SOLDER,G/F,UL,BLACK
1	DVI-I(M) CONN.	1	QH20123-PC11-4F	UL 94V-0,COLOR WHITE

NOTES:

- SPECIFICATION:
  - OPERATING VOLTAGE: 30 VDC.
  - OPERATING CURRENT: 1AMP MAX
  - OPERATING TEMPERATURE: 0 °C TO 85°C
- TESTING: OPEN/SHORT: 100 % TEST
  - CONTACT RESISTANCE: 2 OHMS
  - INSULATION RESISTANCE: 20M OHMS
  - HI-POT VOLTAGE: 300V DC
- HARMFUL MATERIAL CONTROL PLEASE FOLLOW DOC. No. "EPI12".

NO	DESCRIPTION	Q'TY	H.H P/N	REMARK
X.±	X.±	UNITS mm	NAME(INTENDED USE)	<b>FOXCONN</b> HON HAI PRECISION IND. CO.,LTD. TAIPEI, TAIWAN, R.O.C.
.X± 0.6	.X±	MAT'L	TBD	
.XX±	.XX±	FINISH	PART NO.(INTENDED USE)	
.XXX±	.XX±		CQHC000V-000-EF	
THESE DRAWINGS AND SPECIFICATIONS ARE THE PROPERTY OF HON HAI PRECISION IND. CO., LTD. AND SHALL NOT BE REPRODUCED, COPIED OR USED IN ANY MANNER WITHOUT THE PRIOR WRITTEN CONSENT OF HON HAI PRECISION IND. CO., LTD.			APPD:	TITLE: DVI_M+HD-15_F ADAPTER
			CHKD:	DWG NO.: 605-
			DR:	SCALE SHEET REV. NONE 1/1 X1