

**SPECIFICATIONS**

**Constituent**

Mini Din + RCA + Insulation wire + Mini Din

**Mini Din Cable assembly**

Mini Din Series

Mini Din + RCA To Mini Din

**Mechanical**

Durability(Mating):500 cycles min.

**Electrical**

Current rating: 1.0 Amperes for 28awg.

0.5 Amperes for 32awg.

Voltage rating: 250V.

Withstanding voltage: 500V for 60 Second Min.

Insulation resistance: 5M Ohms Min AT 300V DC.

**Physical**

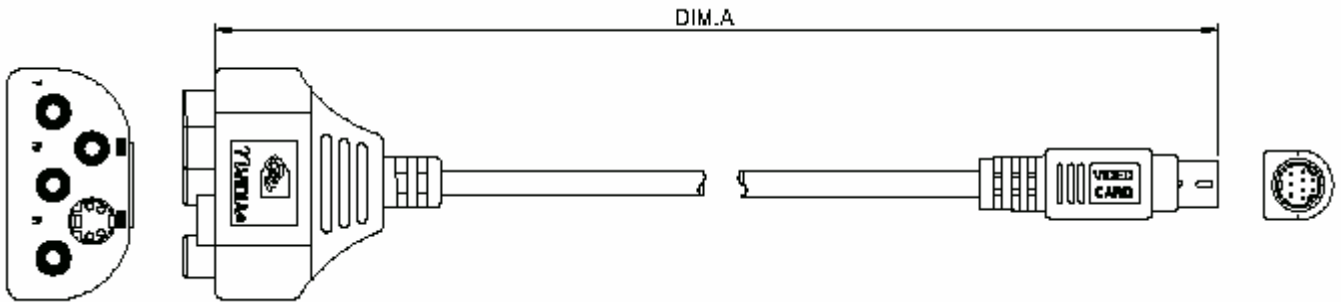
Cable: Mini Din Cable.

**Agency Approvals**

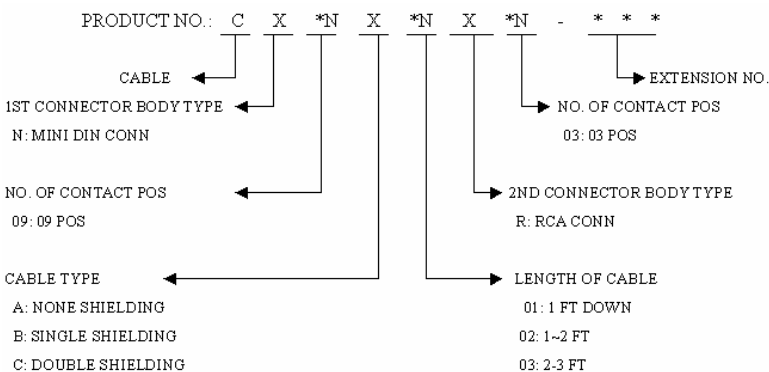
UL 94V-0 rated



**DRAWING**



**ORDERING INFORMATION**



CN09C01R03-D53	228 [8.976]
P/N	DIM.A