

**SPECIFICATIONS**

**Mechanical**

**Contact Retention Force:** 0.75Lbs (0.34kgf) min. per Contact  
**Durability:** 25 Cycles  
**Dram Board Insertion Force:** 3 oz max. per Contact

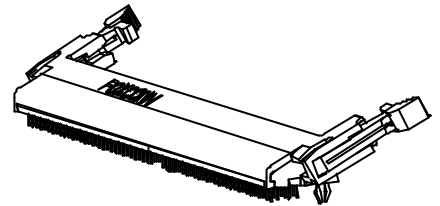
**AU140 Series**  
**25 Degree, T/H Type**  
**1.00mm [.039"] Pitch**  
**240 Pos.**

**Electrical**

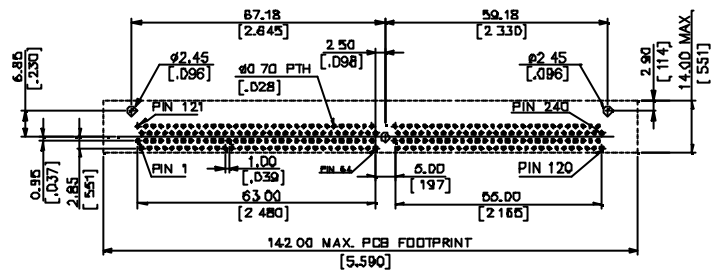
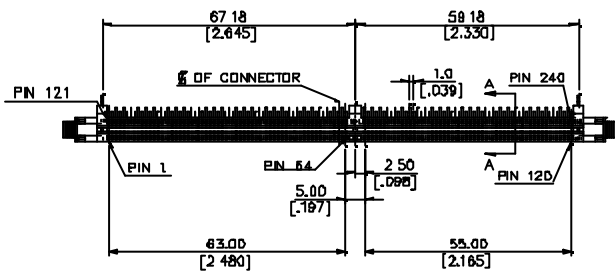
**Voltage Raging:** 250V AC  
**Current Rating:** 1.0A max., 30 max., in Temperature Rise  
**Insulation Resistance:** 1000MW min. initial  
**Dielectric Withstanding Voltage:** 500V AC at Sea Level  
**Low Level Contact Resistance:** 30mW max. initial

**Physical**

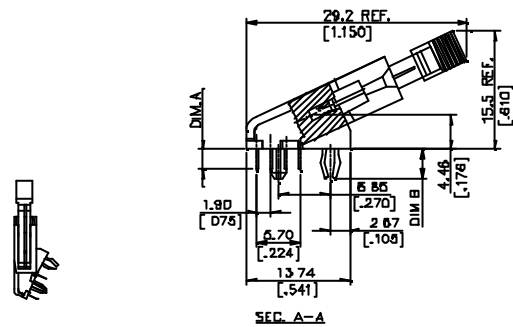
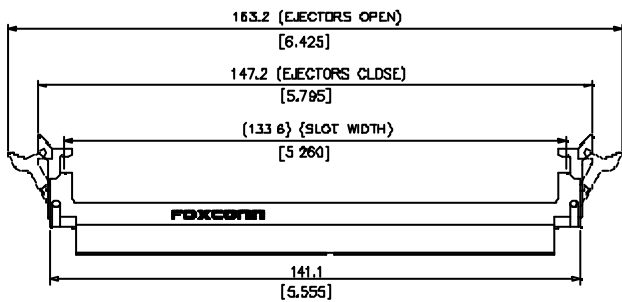
**Housing:** Thermoplastic, UL 94V-0 rated in Black Color  
**Contact:** Copper alloy  
**Ejector:** Thermoplastic, UL 94V-0 rated in Ivory or Natural Color  
**Metal Hold Down:** Copper alloy  
**Operating Temperature:** -55 to +105



**DRAWING**



RECOMMENDED PCB HOLE LAYOUT



**ORDERING INFORMATION**

PRODUCT NO.: AU140\*\* - \*\*\* - \*\*

MEMORY SOCKET: AU140  
 25 DEGREE: 14  
 NO. OF POS.: 40=240 POS.  
 TAIL LENGTH: 0=3.18 MM (.125")  
 1=2.87 MM (.105")

PLATING TYPE: 4F=LEAD FREE  
 EXTENSION CODE: \*\*\*  
 CONTACT AREA GOLD PLATING:  
 1=GOLD FLASH  
 2=20 " GOLD  
 3=30 " GOLD  
 6=1D " GOLD  
 7=15 " GOLD

AU1401*-H1B-**	240	1.8V	2.67 [105]	3.78 [149]
AU1400*-H1B-**	240	1.8V	3.18 [125]	4.57 [180]
P/N	POS.	VOLTAGE MARKING	DIM. A	DIM. B