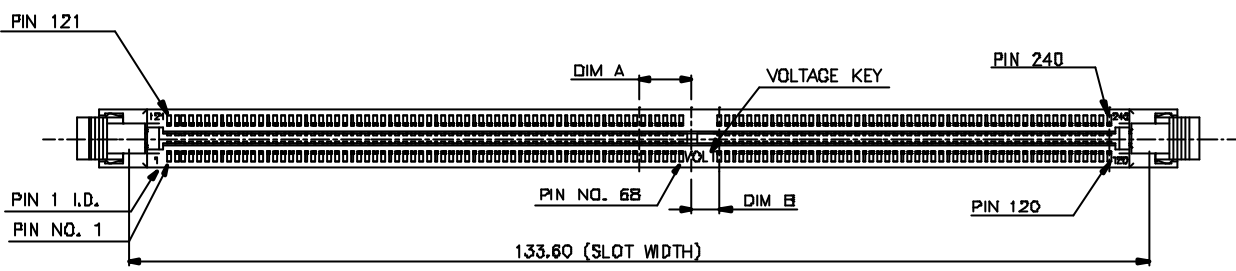
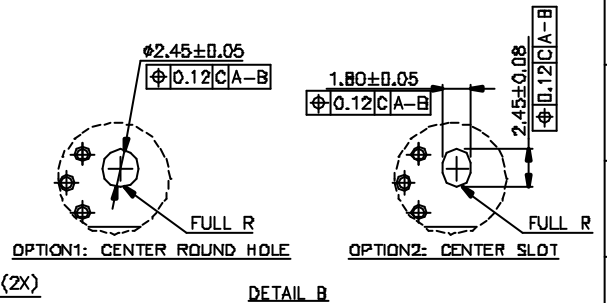
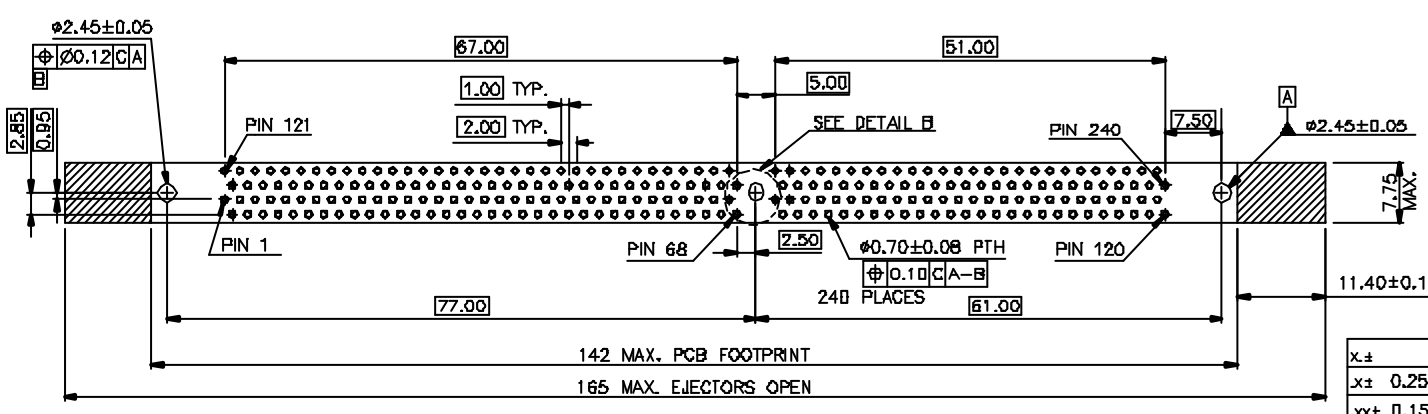
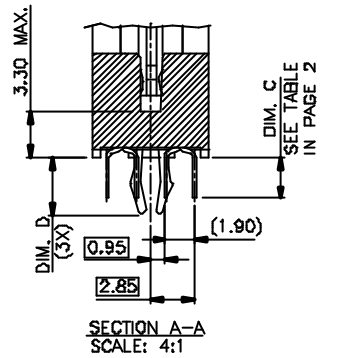
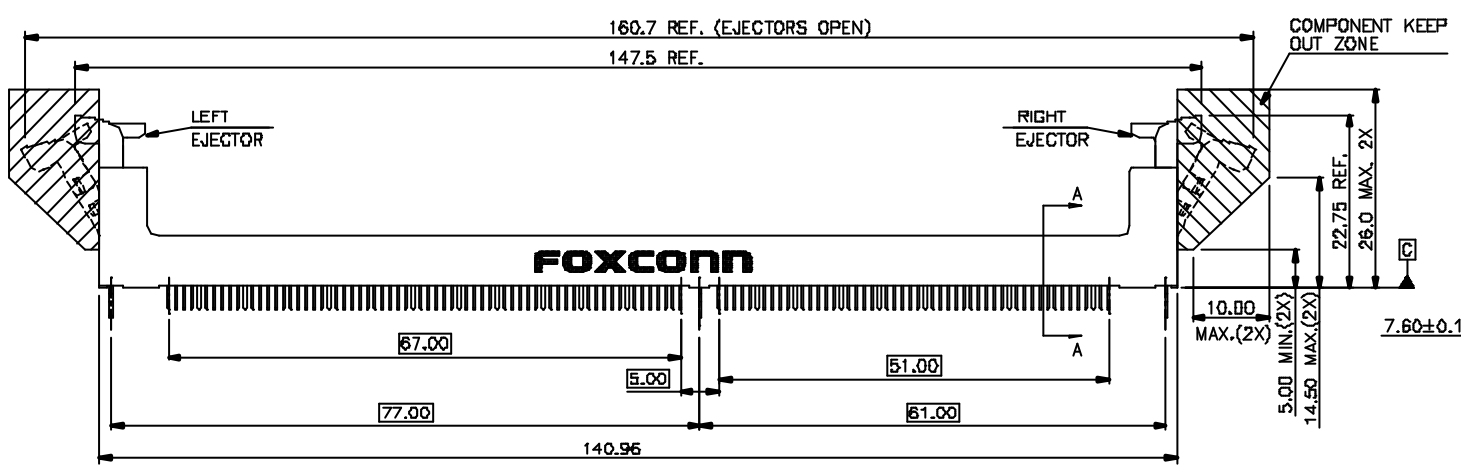


REV.	ECN.	NO.	APPD.
A	BC05711777	W.C.L.T	4/9/05



NOTES: UNLESS OTHERWISE SPECIFIED:
 1. ALL DIMENSIONS ARE IN MILLIMETER.
 2. INTERPRET DRAWINGS PER ANSI Y14.5M-1994.



RECOMMENDED PCB HOLE LAYOUT

X±	X±	UNITS	mm	NAME(INTENDED USE)	FOXCONN
X± 0.25	X±	MATL		FBD DIMM, 240 POS.	HON HAI PRECISION IND. CO.,LTD.
Jxx± 0.15	Jxx±			1.00 mm PITCH	TAIPEI, TAIWAN, R.O.C.
XXX±	XXX±	FINISH		PART NO.(INTENDED USE)	TITLE:
				AT540**~H3BF~**	CUSTOMER DRAWING
		APPD:	W.G.LIT 4/9/05	APPD:	DWG NO.:
		CHKD:	T.S.LIU 4/9/05	CHKD:	317-0000-1179
		DR:	Decy Chen 4/5/05	DR:	SCALE SHEET REV.
					N/A 1/3 A

THESE DRAWINGS AND SPECIFICATIONS ARE THE PROPERTY OF HON HAI PRECISION IND. CO., LTD. AND SHALL NOT BE REPRODUCED OR USED IN ANY MANNER WITHOUT THE EXPRESS WRITTEN CONSENT OF HON HAI PRECISION IND. CO., LTD.

SPECIFICATION:

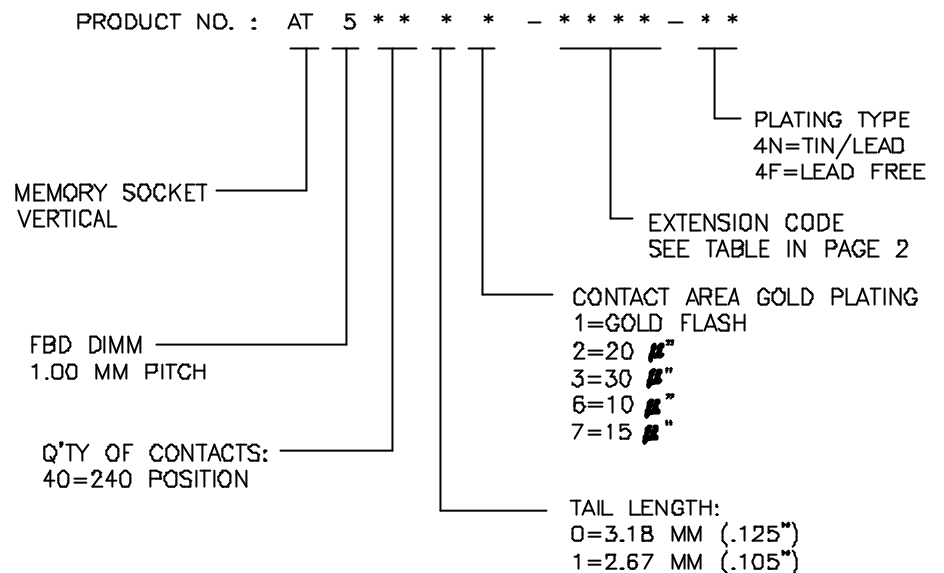
1. PHYSICAL:
 - 1-1. HOUSING:
HIGH TEMPERATURE THERMOPLASTIC, NYLON, UL 94V-0, COLOR: BLACK.
 - 1-2. CONTACT:
COPPER ALLOY, NICKEL PLATING OVERALL, THICKNESS 50 μ" MIN., TIN/LEAD OR LEAD FREE PLATING, THICKNESS 100 μ" MIN. AT TAILS, GOLD PLATING AT CONTACT AREA. THICKNESS REFER TO PRODUCT NOMENCLATURE.
 - 1-3. EJECTOR:
THERMOPLASTIC, UL 94V-0, COLOR: IVORY OR NATURAL.
 - 1-4. METAL BOARD LOCK: COPPER ALLOY.

2. ELECTRICAL CHARACTERISTICS:
 - 2-1. CONTACT CURRENT RATING: 0.5 AMPS MAX.
 - 2-2. INSULATION RESISTANCE: 1 MEGOHMS MIN. AT 500 VDC.
 - 2-3. DIELECTRIC WITHSTANDING VOLTAGE: 500 VDC AT SEA LEVEL.
 - 2-4. LOW LEVEL CONTACT RESISTANCE (DRY CIRCUIT):
INITIAL: 30 MILLIOHMS MAX.
FINAL: 50 MILLIOHMS MAX. AFTER FULL ENVIRONMENTAL TESTING.

3. MECHANICAL CHARACTERISTICS:
 - 3-1. CONTACT RETENTION FORCE: 0.30 KG. (0.66 LBS) MIN. PER PIN.
 - 3-2. DURABILITY: 25 CYCLES.
 - 3-3. INSERTION FORCE OF CONNECTOR INTO PCB (WITH THREE BOARD LOCKS): 6.8 KG (15 LBS) MAX.
 - 3-4. UNMATING FORCE (PER CONTACT PAIR): 14 g MIN.

4. ENVIRONMENTAL CHARACTERISTICS:
 - 4-1. SOLDERABILITY: PASSED PER EIA-364-52, CLASS 2, CATEGORY 3.
 - 4-2. VIBRATION: PASSED PER EIA-364-28.
 - 4-3. HUMIDITY: PASSED PER EIA-364-31.
 - 4-4. THERMAL SHOCK: PASSED PER EIA-364-32.
 - 4-5. OPERATING TEMPERATURE: 0°C TO 85°C.
 - 4-6. MECHANICAL SHOCK: PASSED PER EIA-364-27.

PRODUCT NOMENCLATURE:



X±	X±	UNITS	mm	NAME(NTENDED USE)	FOXCONN
X± 0.25	X±	MAT'L		FBD DIMM, 240 POS 1.00 mm PITCH	HON HAI PRECISION IND. CO.,LTD. TAIPEI, TAIWAN, R.O.C.
XX± 0.15	XX±	FINISH		PART NO.(NTENDED USE)	TITLE
XXX±	XXX±	Q'TY		ATS40**-H3BF-**	CUSTOMER DRAWING
<small>THESE DIMENSIONS AND SPECIFICATIONS ARE THE PROPERTY OF HON HAI PRECISION IND. CO., LTD. AND SHALL NOT BE REPRODUCED, COPIED OR USED IN ANY MANNER WITHOUT THE PRIOR WRITTEN CONSENT OF HON HAI PRECISION IND. CO., LTD.</small>				APPS: W.G.Li 4/9'05	DWG NO: 317-0000-1179
				CHKD: T.S.Liu 4/8'05	SCALE
				DR: Decy Chen 4/5'05	BHEET
					REV: N/A 3/3 A