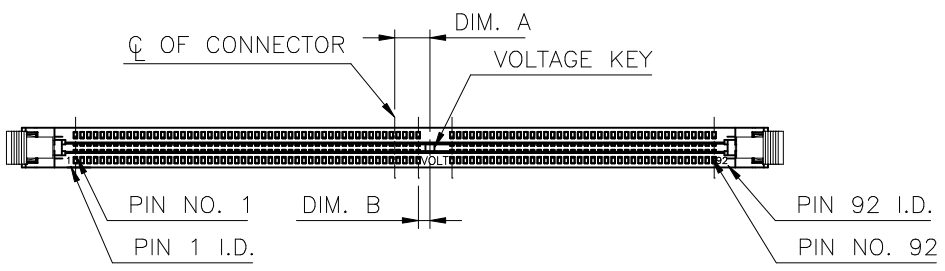
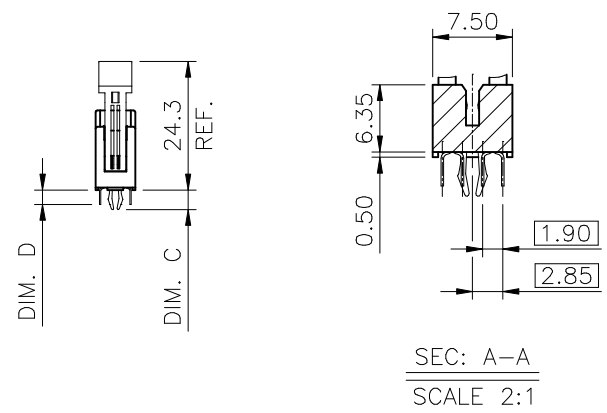
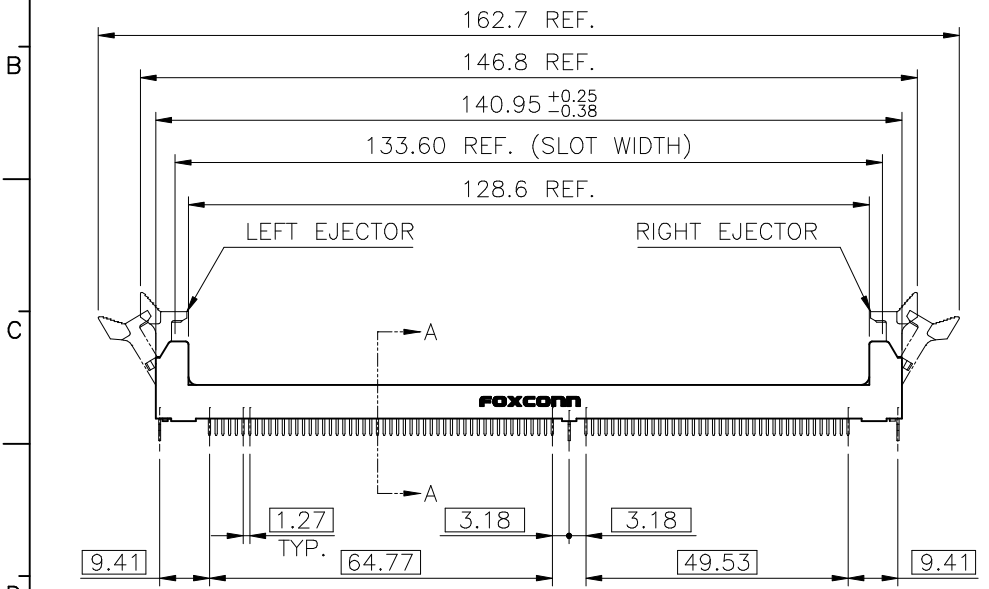


REV.	ECN. NO.	NO.	APPD.
A	BC05711846		Wen-Guey Liu 4/15'05



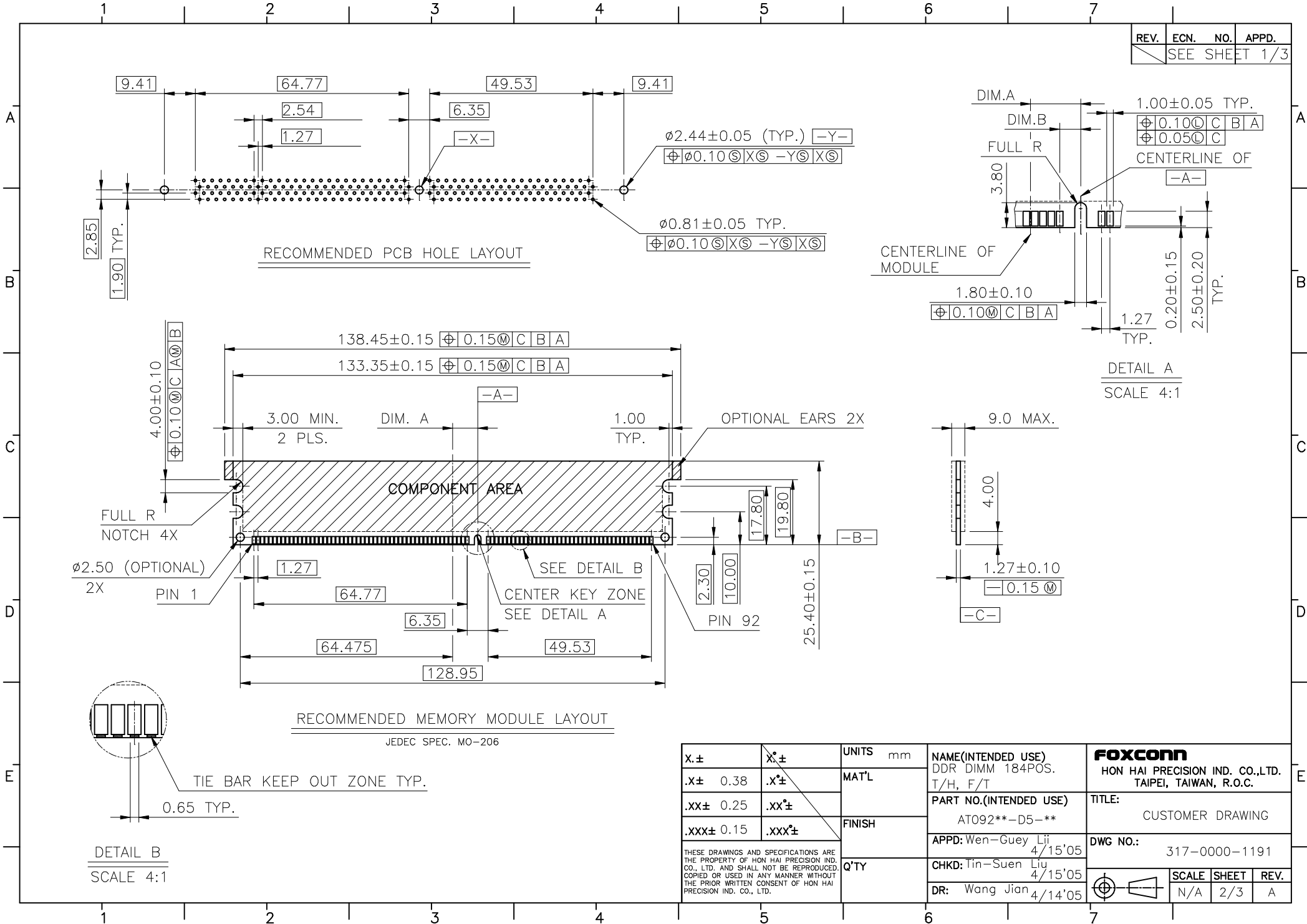
NOTES: UNLESS OTHERWISE SPECIFIED  
 1. ALL DIMENSIONS ARE IN MILLIMETER.  
 2. INTERPRET DRAWINGS PER ANSI Y14.5M-1994



AT0921*-D5-**	184	2.5V	6.62 BSC.	2.175 BSC.	3.78±0.15	2.67 <sup>+0.20</sup> / <sub>-0.25</sub>
AT0920*-D5-**		2.5V	6.62 BSC.	2.175 BSC.		3.15 <sup>+0.20</sup> / <sub>-0.25</sub>
PROD. NO.	NO. OF POSITION	VOLTAGE MARKING	DIM. A	DIM. B	DIM. C	DIM. D

X.±	X°±	UNITS	mm	NAME(INTENDED USE)	<b>FOXCONN</b> HON HAI PRECISION IND. CO.,LTD. TAIPEI, TAIWAN, R.O.C.		
.X± 0.38	.X°±	MAT'L		DDR DIMM 184POS. T/H, F/T			
.XX± 0.25	.XX°±	FINISH		PART NO.(INTENDED USE)	TITLE:		
.XXX± 0.15	.XXX°±	Q'TY		AT092**-D5-**	CUSTOMER DRAWING		
THESE DRAWINGS AND SPECIFICATIONS ARE THE PROPERTY OF HON HAI PRECISION IND. CO., LTD. AND SHALL NOT BE REPRODUCED, COPIED OR USED IN ANY MANNER WITHOUT THE PRIOR WRITTEN CONSENT OF HON HAI PRECISION IND. CO., LTD.				APPD: Wen-Guey Liu 4/15'05	DWG NO.:		
				CHKD: Tin-Suen Liu 4/15'05	317-0000-1191		
				DR: Wang Jian 4/14'05			
					SCALE	SHEET	REV.
				N/A	1/3	A	

REV.	ECN.	NO.	APPD.
SEE SHEET 1/3			



RECOMMENDED PCB HOLE LAYOUT

RECOMMENDED MEMORY MODULE LAYOUT

JEDEC SPEC. MO-206

DETAIL A  
SCALE 4:1

DETAIL B  
SCALE 4:1

X.±	X*.±	UNITS	mm	NAME(INTENDED USE)	<b>FOXCONN</b> HON HAI PRECISION IND. CO.,LTD. TAIPEI, TAIWAN, R.O.C.
.X± 0.38	.X*.±	MAT'L		DDR DIMM 184POS. T/H, F/T	
.XX± 0.25	.XX*.±	FINISH		PART NO.(INTENDED USE)	TITLE: CUSTOMER DRAWING
.XXX± 0.15	.XXX*.±	Q'TY		AT092**-D5-**	DWG NO.:
THESE DRAWINGS AND SPECIFICATIONS ARE THE PROPERTY OF HON HAI PRECISION IND. CO., LTD. AND SHALL NOT BE REPRODUCED COPIED OR USED IN ANY MANNER WITHOUT THE PRIOR WRITTEN CONSENT OF HON HAI PRECISION IND. CO., LTD.				APPD: Wen-Guey Lij 4/15'05	317-0000-1191
				CHKD: Tin-Suen Liu 4/15'05	
				DR: Wang Jian 4/14'05	
					SCALE SHEET REV. N/A 2/3 A

REV.	ECN.	NO.	APPD.
SEE SHEET			1/3

# SPECIFICATION:

## 1. PHYSICAL:

- 1-1. HOUSING:  
HIGH TEMPERATURE THERMOPLASTIC, UL 94V-0, COLOR: BLACK
- 1-2. CONTACT:  
COPPER ALLOY, NICKEL PLATING OVERALL, THICKNESS 50  $\mu$ " MIN.,  
TIN/LEAD OR LEAD FREE PLATING, THICKNESS 100  $\mu$ " MIN. AT TAILS,  
GOLD PLATING AT CONTACT AREA. THICKNESS REFER TO  
PRODUCT NOMENCLATURE.
- 1-3. EJECTOR:  
THERMOPLASTIC, UL 94V-0, COLOR: IVORY OR NATURAL
- 1-4. METAL HOLD DOWN:  
COPPER ALLOY.

## 2. ELECTRICAL CHARACTERISTICS:

- 2-1. VOLTAGE RATING: 250VAC.
- 2-2. CURRENT RATING: 1.0AMPS MAX., 30°C MAX., IN TEMP. RISE.
- 2-3. INSULATION RESISTANCE: 1000 MEGOHMS MIN. INITIAL.
- 2-4. DIELECTRIC WITHSTANDING VOLTAGE: 500V AC AT SEA LEVEL.
- 2-5. LOW LEVEL CONTACT RESISTANCE(DRY CIRCUIT):  
INITIAL: 30 MILLIOHMS MAX.  
FINAL: 40 MILLIOHMS MAX. AFTER FULL ENVIRONMENTAL TESTING.

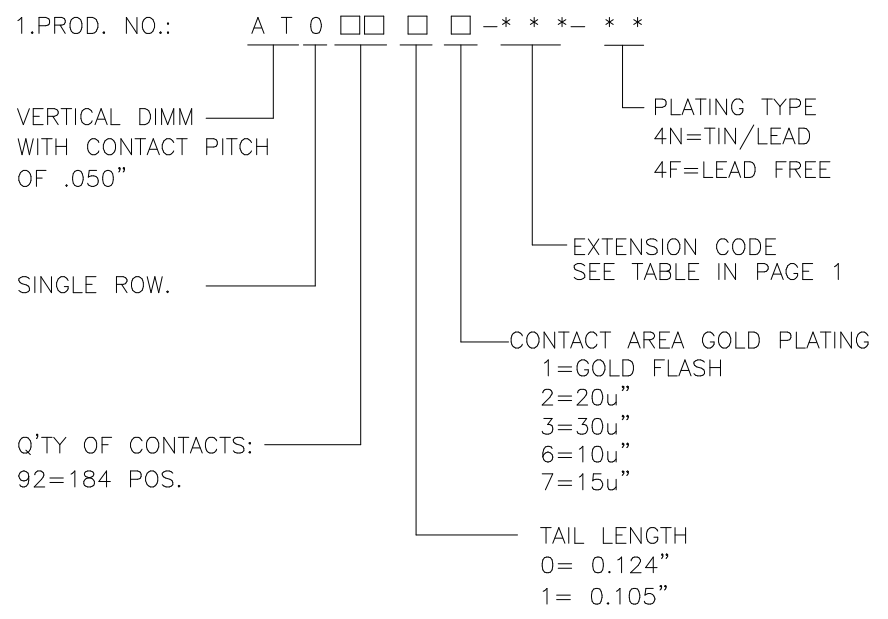
## 3. MECHANICAL CHARACTERISITICS:

- 3-1. CONTACT RETENTION FORCE: 0.75Lbs.(0.34Kgf) MIN. PER CONTACT.
- 3-2. DURABILITY: 25 CYCLES.
- 3-3. DRAM BORD INSERTION FORCE 3 OZ. MAX. PER CONTACT.

## 4. ENVIRONMENTAL CHARACTERISTICS:

- 4-1. SOLDERABILITY: PASSED PER EIA-364-52, CLASS 2, CATEGORY 3.
- 4-2. VIBRATION: PASSED PER EIA-364-28.
- 4-3. HUMIDITY: PASSED PER EIA-364-31.
- 4-4. THERMAL SHOCK: PASSED PER EIA-364-32.
- 4-5. OPERATING TEMPERATURE: 0°C TO 85°C.
- 4-6. MECHANICAL SHOCK: PASSED PER EIA-364-27.

# PRODUCT NOMENCLATURE:



X.±	X.±	UNITS mm	NAME(INTENDED USE) DDR DIMM 184POS. T/H, F/T	<b>FOXCONN</b> HON HAI PRECISION IND. CO.,LTD. TAIPEI, TAIWAN, R.O.C.
.XX± 0.38	.XX±	MAT'L	PART NO.(INTENDED USE) AT092**-D5-*	
.XX± 0.25	.XX±	FINISH	APPD: Wen-Guey Lij 4/15'05	TITLE: CUSTOMER DRAWING
.XXX± 0.15	.XXX±		Q'TY	CHKD: Lin-Suen Liu 4/15'05
THESE DRAWINGS AND SPECIFICATIONS ARE THE PROPERTY OF HON HAI PRECISION IND. CO., LTD. AND SHALL NOT BE REPRODUCED, COPIED OR USED IN ANY MANNER WITHOUT THE PRIOR WRITTEN CONSENT OF HON HAI PRECISION IND. CO., LTD.			DR: Wang Jian 4/14'05	SCALE SHEET REV. N/A 3/3 A