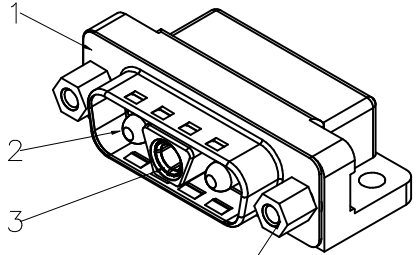
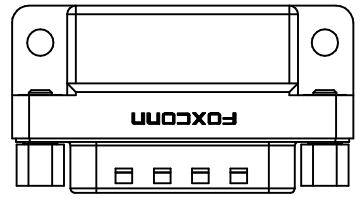


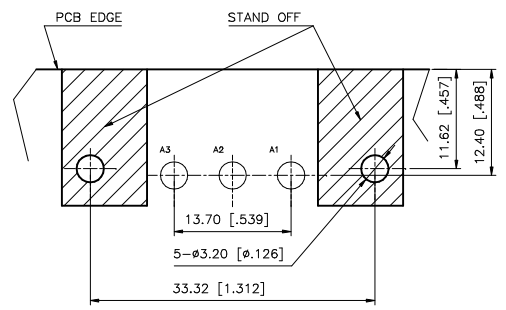
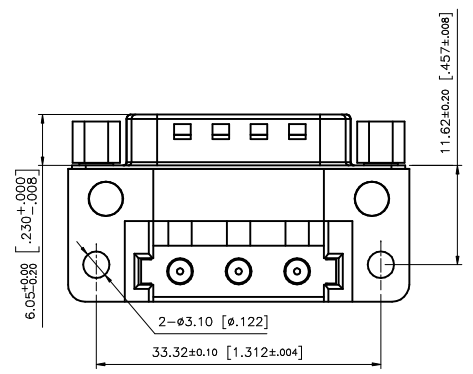
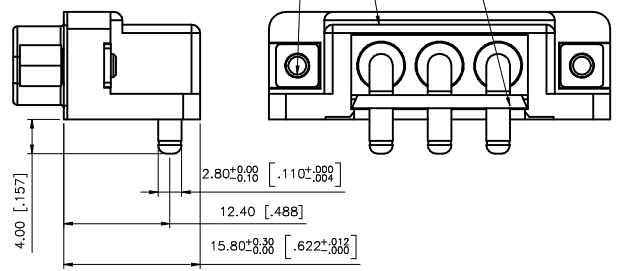
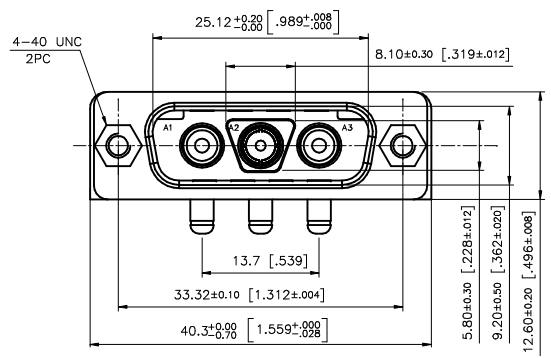
REV.	ECN. NO.	APPD.
A	BC-08-7135795	COREL



SPECIFICATION:

- ELECTRICAL CHARACTERISTICS:
 - CURRENT RATING: 40A PER CONTACT.
 - VOLTAGE RATING: 300V.
 - DIELECTRIC WITHSTANDING VOLTAGE: 1000VAC(50HZ).
 - INSULATION RESISTANCE: 2000MEGOHMS MIN.
 - CONTACT RESISTANCE: 2MILLIOHMS
- MECHANICAL CHARACTERISTICS:
 - CONTACT SINGAL SEPARATE FORCE: 2.5N~10N
 - DURABILITY: 500 CYCLES.
- ENVIRONMENTAL CHARACTERISTICS:

TEMPERATURE RANGE: -55°C~+125°C.
RELATIVE HUMIDITY: 40°C (90~95)%
- RoHS COMPLIANT
- RECOMMEND SOLDER PROCESS: SEE SHEET 2/2

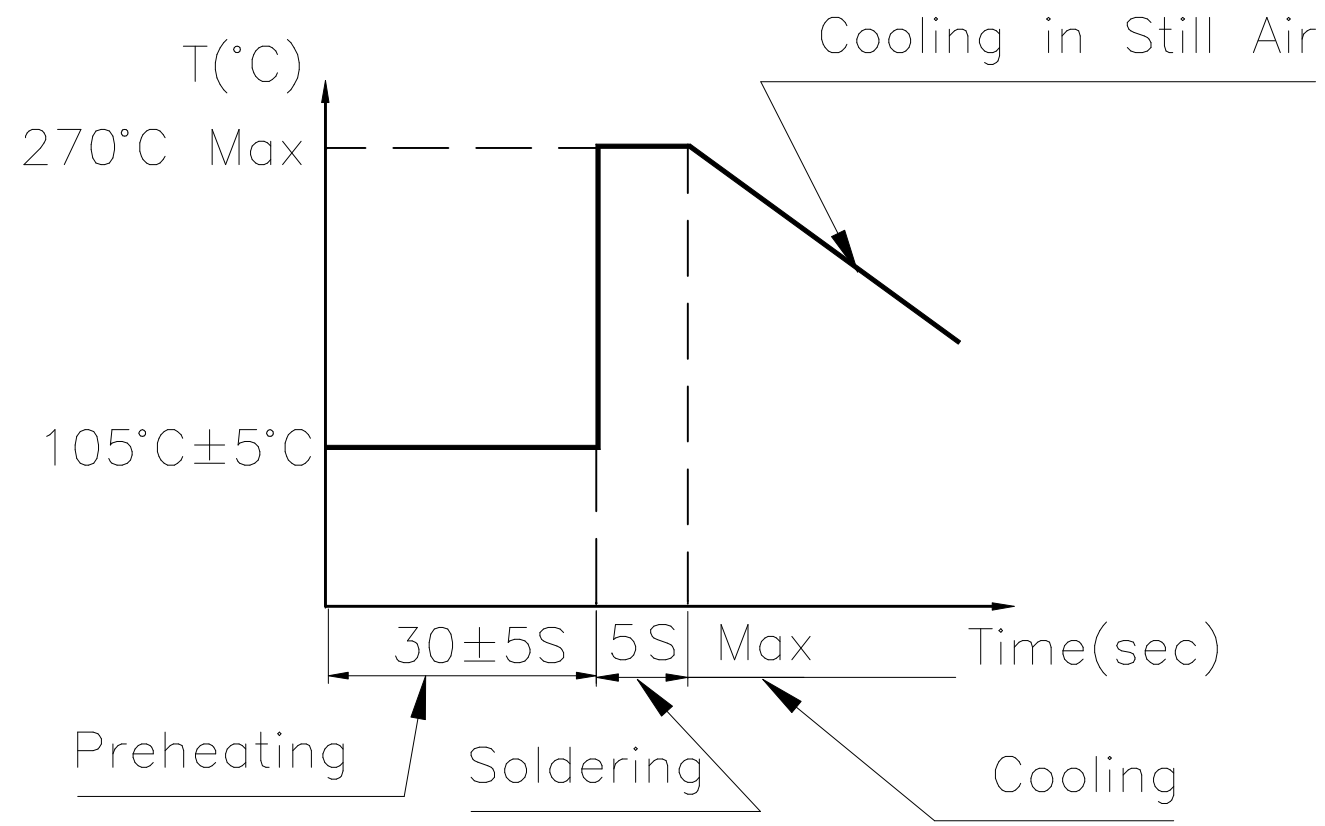


RECOMMENDED PCB LAYOUT(COMPONENT SIDE VIEW)
 DEFAULT TOLERANCE ±0.05[±.002]
 RECOMMENDED PCB'S THICKNESS : 2.50[.098] MAX.

ITEM	DESCRIPTION	Q'TY	MATERIAL	FINISH	REMARK
7	SPACER	1	THERMOPLASTIC UL94V-0	BLACK	
6	HOUSING	1			
5	NUT	1	COPPER ALLOY	NICKEL PLATED	
4	SCREW	1	COPPER ALLOY	NICKEL PLATED	
3	Femal pin	1	COPPER ALLOY	CONTACT AREA:15u" MIN. GOLD PALTED	
2	Male pin	2			
1	Shell	1	STEEL	NICKEL PLATED	

X.±	X°.±	UNITS	NAME(INTENDED USE)	FOXCONN
.X ± 0.38[.015]	.X°.±	mm[inch]	CUSTOMER	HON HAI PRECISION IND. CO.,LTD. TAIPEI, TAIWAN, R.O.C.
.XX ± 0.25[.010]	.XX°.±	N/A	PART NO.(INTENDED USE)	TITLE:
.XXX ±	.XXX°.±	FINISH	4A12037-C105-4F	SINGLE AUDIO JACK
		N/A	APPD: Corel Zhu 10/27'08	DWG NO.: 301-0000-1703
		Q'TY	CHKD: Sean Han 10/27'08	
		N/A	DR: Helen Xue 10/27'08	

	SCALE	SHEET	REV.
1:1	1/2	A	



WAVE SOLDERING THERMAL PROFILE

X.±	X°.±	UNITS	NAME(INTENDED USE)	FOXCONN HON HAI PRECISION IND. CO.,LTD. TAIPEI, TAIWAN, R.O.C.						
.X±	.X°.±	MAT'L	CUSTOMER							
.XX±	.XX°.±	N/A	PART NO.(INTENDED USE)	TITLE:						
.XXX±	.XXX°.±	FINISH	4A12037-C105-4F	SINGLE AUDIO JACK						
THESE DRAWINGS AND SPECIFICATIONS ARE THE PROPERTY OF HON HAI PRECISION IND. CO., LTD. AND SHALL NOT BE REPRODUCED, COPIED OR USED IN ANY MANNER WITHOUT THE PRIOR WRITTEN CONSENT OF HON HAI PRECISION IND. CO., LTD.			APPD: Corel Zhu 10/27'08	DWG NO.: 301-0000-1703						
			CHKD: Sean Han 10/27'08							
			DR: Helen Xue 10/27'08	<table border="1"> <tr> <td>SCALE</td> <td>SHEET</td> <td>REV.</td> </tr> <tr> <td>1:1</td> <td>2/2</td> <td>A</td> </tr> </table>	SCALE	SHEET	REV.	1:1	2/2	A
SCALE	SHEET	REV.								
1:1	2/2	A								