

SPECIFICATIONS

Mechanical

Durability: 100 Cycles
 Insertion/Extraction force: 50N Max./20N max

Electrical

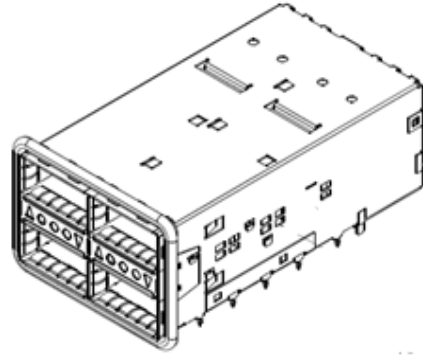
Voltage Rating: 120 volts r,m,s
 Current Rating: 0.5A
 Insulation Resistance: 1000 M-ohms max

Physical

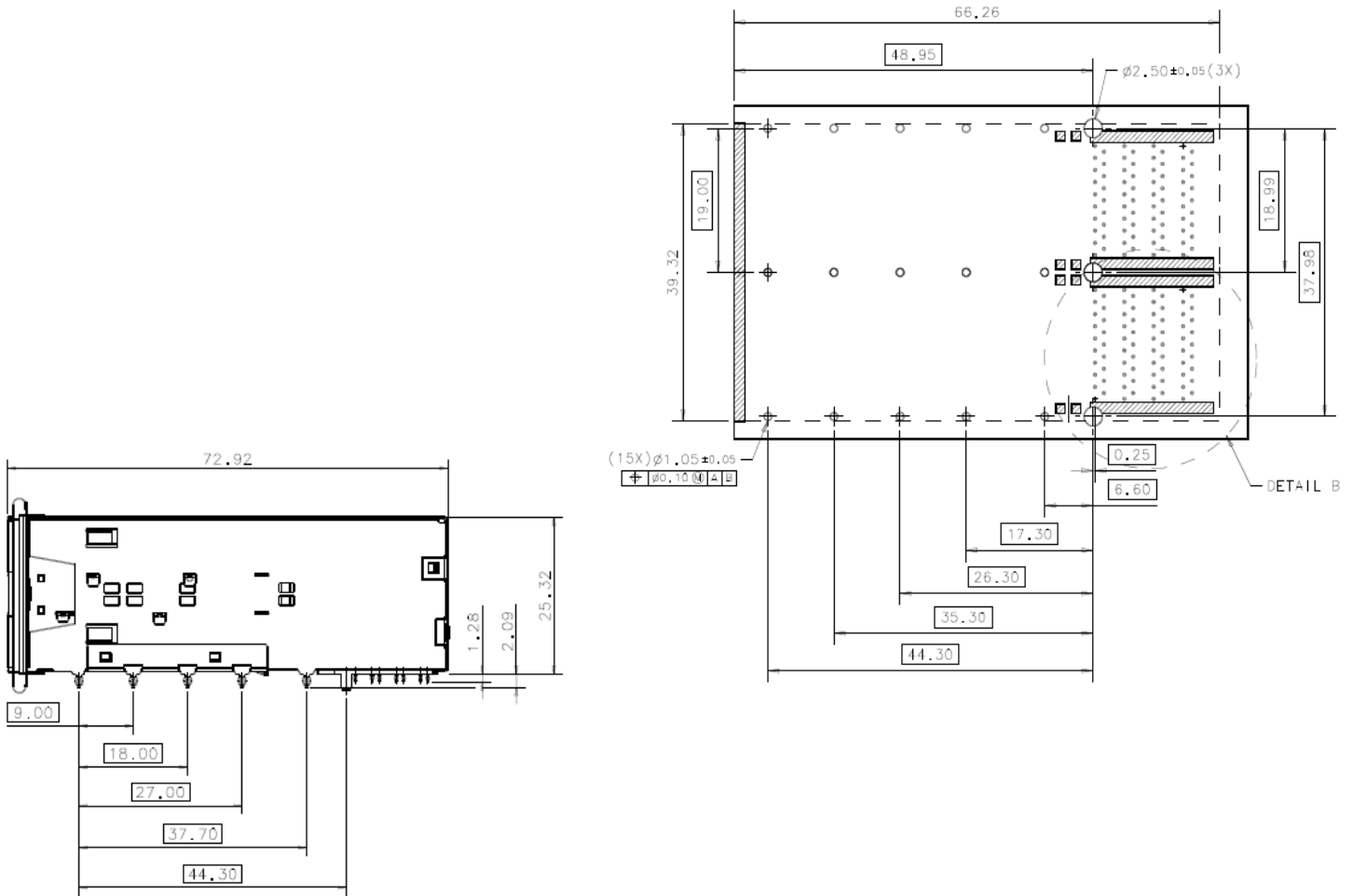
Connector : Housing:LCP
 Contact:Copper Alloy
 I/M plastic part: PBT
 Kick out spring: Stainless steel
 Plating: 30u" on mating area
 Cage: Copper Alloy, Nickle plating overall
 Operating Temperature: -55°C to + 85°C

QSFP

3S Series,
 QSFP stacked type, 2x2, 0.8mm pitch



DRAWING



ORDERING INFORMATION

PART NUMBER

3 S 1 0 7 6 C 3 — E R 6 — 4 M

E= without Lightpipe

R= QSFP+ 2X2

6=EMI Gasket

4= Tracy packing

M= Matte tin