

## SPECIFICATIONS

### Mechanical

Durability: 100 Cycles  
 Insertion/Extraction force: 50N Max./20N max

### Electrical

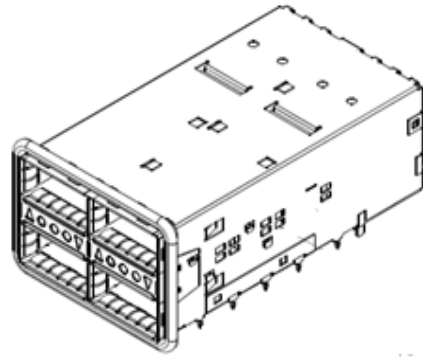
Voltage Rating: 120 volts r,m,s  
 Current Rating: 0.5A  
 Insulation Resistance: 1000 M-ohms max

### Physical

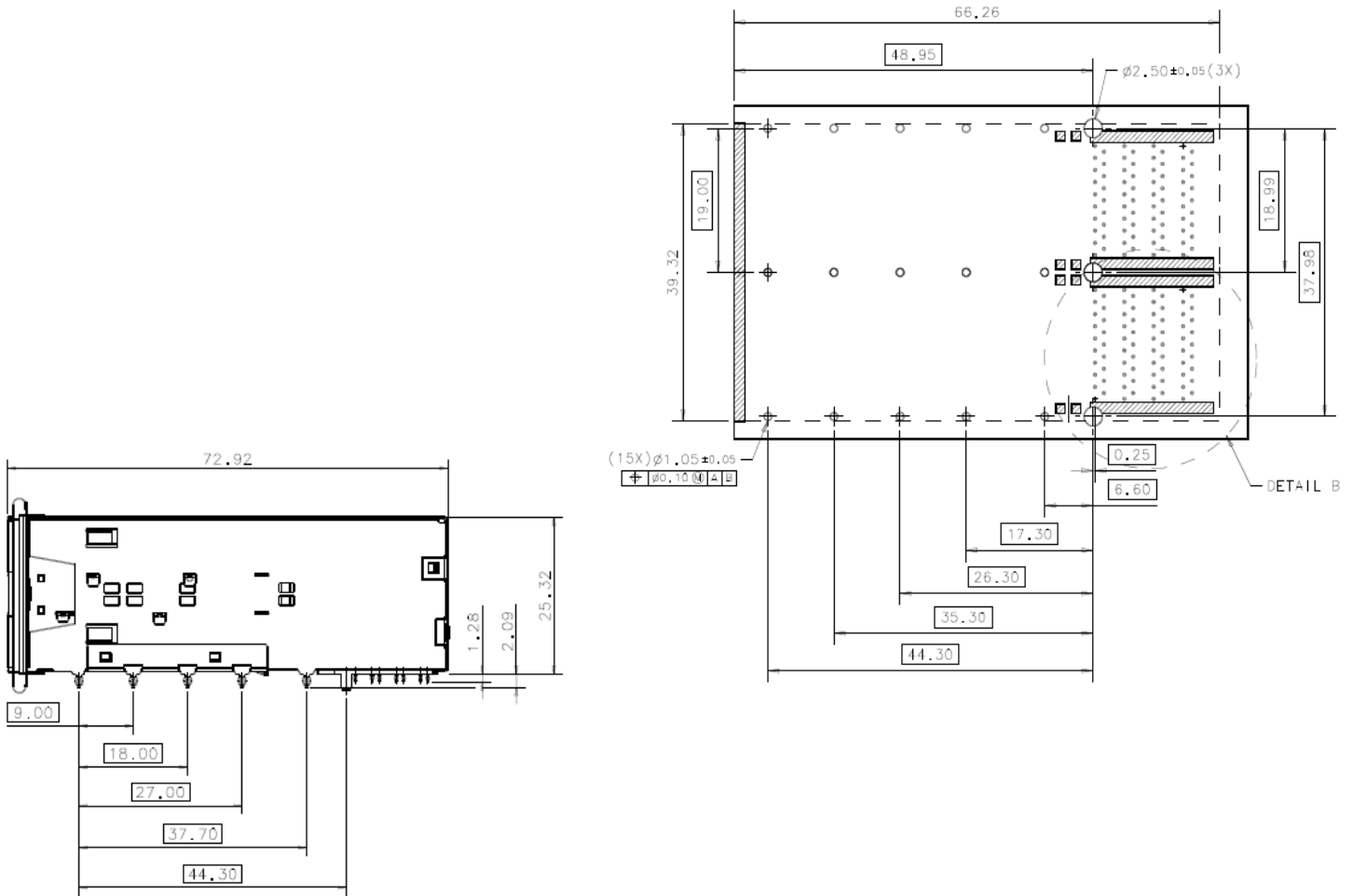
Connector : Housing:LCP  
 Contact:Copper Alloy  
 I/M plastic part: PBT  
 Kick out spring: Stainless steel  
 Plating: 30u" on mating area  
 Cage: Copper Alloy, Nickle plating overall  
 Operating Temperature: -55°C to + 85°C

### QSFP

3S Series,  
 QSFP stacked type, 2x2, 0.8mm pitch



## DRAWING



## ORDERING INFORMATION

### PART NUMBER

3 S 1 0 7 6 C 3 — A R 6 — 4 M

A= with full Lightpipe

R= QSFP+ 2X2

6=EMI Gasket

4= Tracy packing

M= Matte tin