

NOTES, UNLESS OTHERWISE SPECIFIED:

△.MATERIAL:

CONNECTOR HOUSING: THERMAL PLASTIC, UL94 V-0.

CONTACT: COPPER ALLOY.

CONNECTOR I/M: THERMAL PLASTIC, UL94 V-0

CAGE ASSEMBLY: COPPER ALLOY

LIGHT PIPE: POLYCARBONITE, UL94 V-0.

△.FINISH:

CAGE BODY: UNPLATED.

EMI SPRING: 100u" MIN. SATIN TIN PLATING OVERALL 50u" MIN. NICKEL PLATING.

CONTACT:

1) 30u" OR 15u" GOLD PLATING AT CONTACT AREA.

2) 50-100u" NICKEL UNDER PLATING.

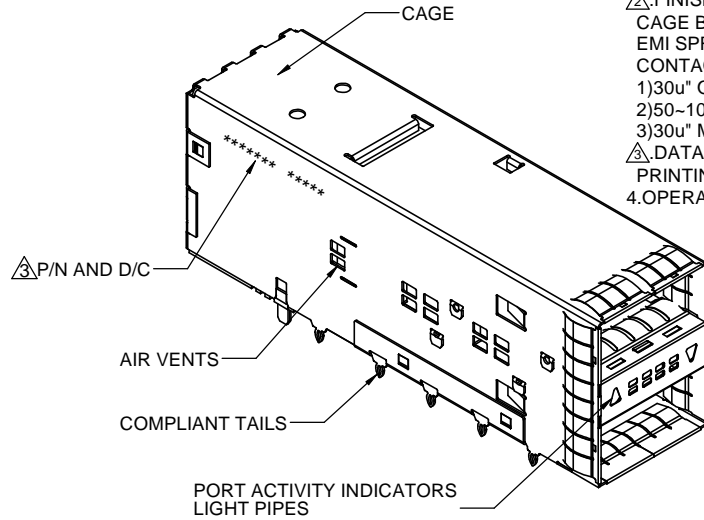
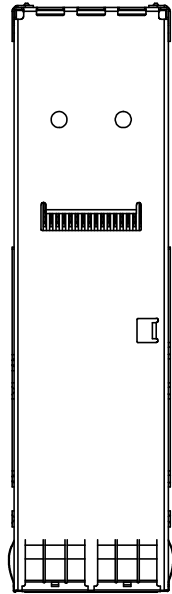
3) 30u" MIN. MATTE TIN PLATING ON TERMINATIONS.

△.DATA CODE AND PART NUMBER (MARKED BY DOUBLE LINE)

PRINTING TO BE LOCATED APPROPRIATELY AT THE AREA, BY LASER

4. OPERATING TEMPERATURE: -55°C-85°C.

| REV. | ECN. NO.      | APPD.   |
|------|---------------|---------|
| A    | BC-13-0070868 | CAMVARD |
| B    | BC-14-0019200 | CAMVARD |
| C    | BC-14-0047265 | CAMVARD |
| D    | BC-15-0023496 | CAMVARD |
| E    | BC-16-0007557 | CAMVARD |
| F    | BC-16-0052173 | CAMVARD |



W/ LIGHT PIPE TYPE  
P/N: 3S1076C3-AK4-4M

PART LIST  
3S1076C3-A\*4-4M

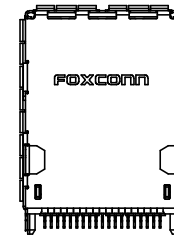
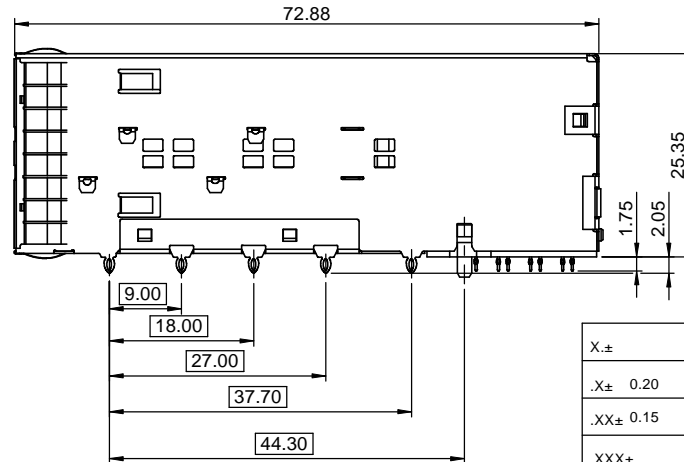
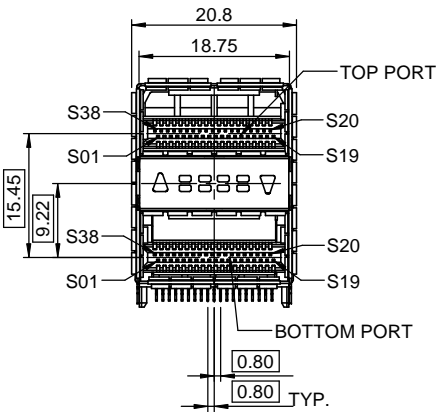
PLATING THICKNESS OF MATING AREA  
3: 30 u" GOLD PLATING

K: WITH LIGHT PIPE TYPE  
G: W/O LIGHT PIPE TYPE

4: EMI FINGER TYPE

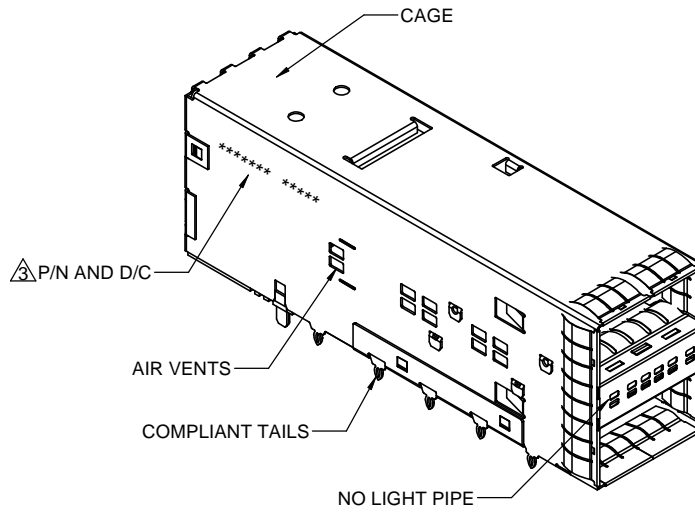
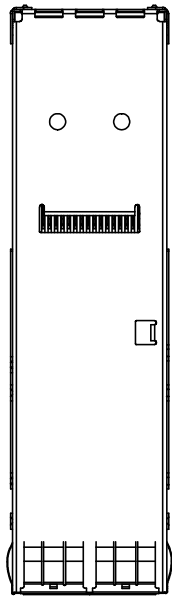
LEAD FREE CODE:  
M: LEAD FREE MATTE TIN

PACKAGE:  
4: TRAY

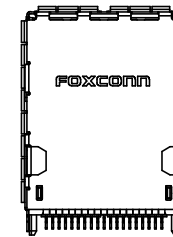
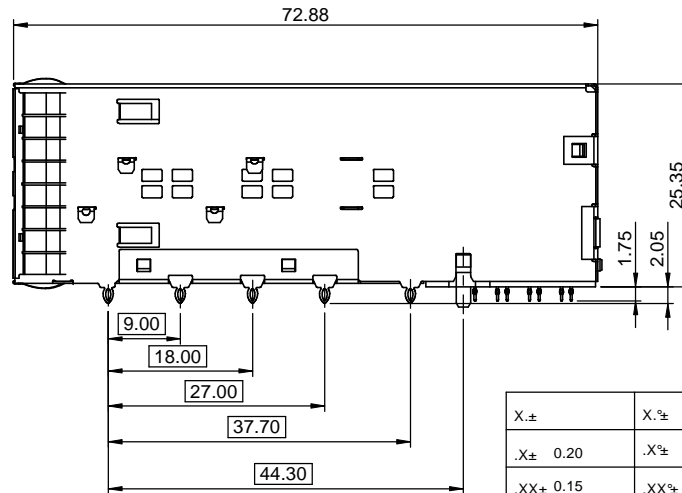
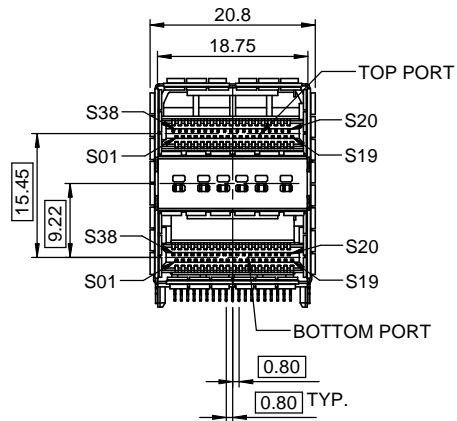


| X.±                                                                                                                                                                                                                                                  | X.± 5° | UNITS  | mm | NAME (INTENDED USE)                   | FOXCONN®                                                                                                                    |
|------------------------------------------------------------------------------------------------------------------------------------------------------------------------------------------------------------------------------------------------------|--------|--------|----|---------------------------------------|-----------------------------------------------------------------------------------------------------------------------------|
| .X± 0.20                                                                                                                                                                                                                                             | .X± 3° | MAT'L  | △  | QSFP+ 2X1 ASSEMBLY<br>EMI FINGER TYPE | FOXCONN INTERCONNECT TECHNOLOGY LIMITED.                                                                                    |
| .XX± 0.15                                                                                                                                                                                                                                            | .XX±   | FINISH | △  | PART NO. (INTENDED USE)               | CLASS:<br><input type="checkbox"/> CONFIDENTIAL <input type="checkbox"/> SECRET <input checked="" type="checkbox"/> GENERAL |
| .XXX±                                                                                                                                                                                                                                                | .XXX±  | Q'TY   | △  | 3S1076C3-A*4-4M                       | TITLE: CUSTOMER DRAWING                                                                                                     |
| <small>THESE DRAWINGS AND SPECIFICATIONS ARE THE PROPERTY OF FOXCONN INTERCONNECT TECHNOLOGY LIMITED AND SHALL NOT BE REPRODUCED, COPIED OR USED IN ANY MANNER WITHOUT THE PRIOR WRITTEN CONSENT OF FOXCONN INTERCONNECT TECHNOLOGY LIMITED.</small> |        |        |    | APPD: CAMVARD 12/20'16                | DWG NO.: 323-0000-1809                                                                                                      |
|                                                                                                                                                                                                                                                      |        |        |    | CHKD: PIER HSU 12/20'16               | SCALE SHEET REV.                                                                                                            |
|                                                                                                                                                                                                                                                      |        |        |    | DRAW: Y.D ZHANG 12/20'16              | N/A 1/4 F                                                                                                                   |

|      |          |       |
|------|----------|-------|
| REV. | ECN. NO. | APPD. |
|      |          |       |

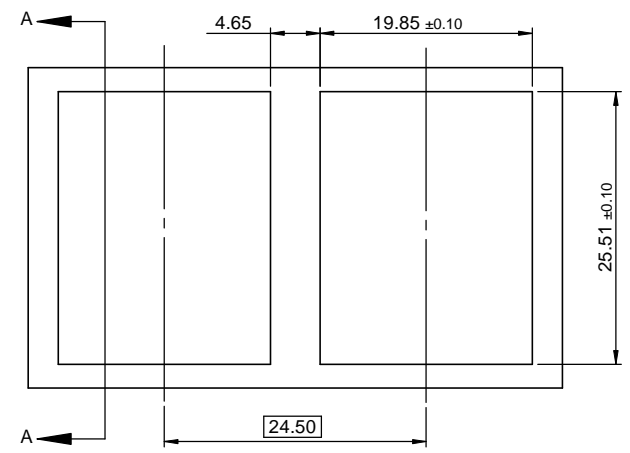
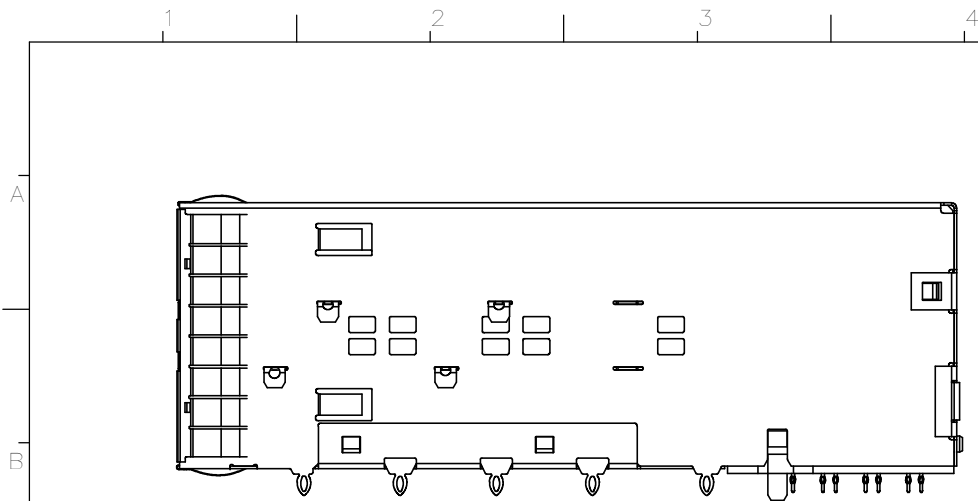


W/O LIGHT PIPE TYPE  
P/N:3S1076C3-AG4-4M

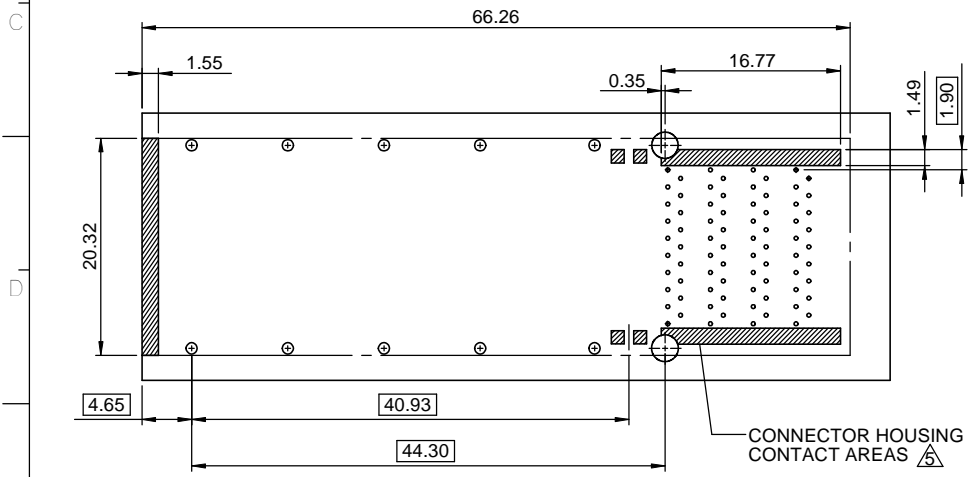


|                                                                                                                                                                                                                                       |        |             |                                                                                                                                    |                                                                                                                             |       |       |      |
|---------------------------------------------------------------------------------------------------------------------------------------------------------------------------------------------------------------------------------------|--------|-------------|------------------------------------------------------------------------------------------------------------------------------------|-----------------------------------------------------------------------------------------------------------------------------|-------|-------|------|
| X.±                                                                                                                                                                                                                                   | X.± 5° | UNITS mm    | NAME (INTENDED USE)<br>QSFP+ 2X1 ASSEMBLY<br>EMI FINGER TYPE                                                                       | <b>FOXCONN®</b><br>FOXCONN INTERCONNECT TECHNOLOGY LIMITED.                                                                 |       |       |      |
| .X± 0.20                                                                                                                                                                                                                              | .X± 3° | MAT'L<br>①  | PART NO. (INTENDED USE)<br>3S1076C3-A*4-4M                                                                                         |                                                                                                                             |       |       |      |
| .XX± 0.15                                                                                                                                                                                                                             | .XX±   | FINISH<br>② | APPD: CAMVARD 12/20'16                                                                                                             | CLASS:<br><input type="checkbox"/> CONFIDENTIAL <input type="checkbox"/> SECRET <input checked="" type="checkbox"/> GENERAL |       |       |      |
| .XXX±                                                                                                                                                                                                                                 | .XXX±  | Q'TY        | CHKD: PIER HSU 12/20'16                                                                                                            | TITLE: CUSTOMER DRAWING                                                                                                     |       |       |      |
| THESE DRAWINGS AND SPECIFICATIONS ARE THE PROPERTY OF FOXCONN INTERCONNECT TECHNOLOGY LIMITED AND SHALL NOT BE REPRODUCED, COPIED OR USED IN ANY MANNER WITHOUT THE PRIOR WRITTEN CONSENT OF FOXCONN INTERCONNECT TECHNOLOGY LIMITED. |        |             | DRAW: Y.D ZHANG 12/20'16                                                                                                           | DWG NO.:<br>323-0000-1809                                                                                                   |       |       |      |
|                                                                                                                                                                                                                                       |        |             | <table border="1"> <tr> <td>SCALE</td> <td>SHEET</td> <td>REV.</td> </tr> <tr> <td>N/A</td> <td>2/4</td> <td>F</td> </tr> </table> |                                                                                                                             | SCALE | SHEET | REV. |
| SCALE                                                                                                                                                                                                                                 | SHEET  | REV.        |                                                                                                                                    |                                                                                                                             |       |       |      |
| N/A                                                                                                                                                                                                                                   | 2/4    | F           |                                                                                                                                    |                                                                                                                             |       |       |      |

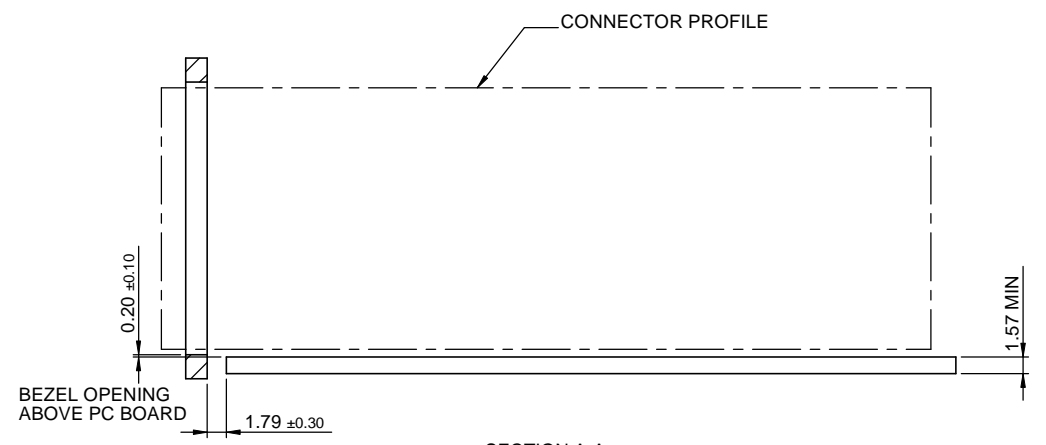
|      |          |       |
|------|----------|-------|
| REV. | ECN. NO. | APPD. |
|      |          |       |



RECOMMENDED PANEL CUT-OUT

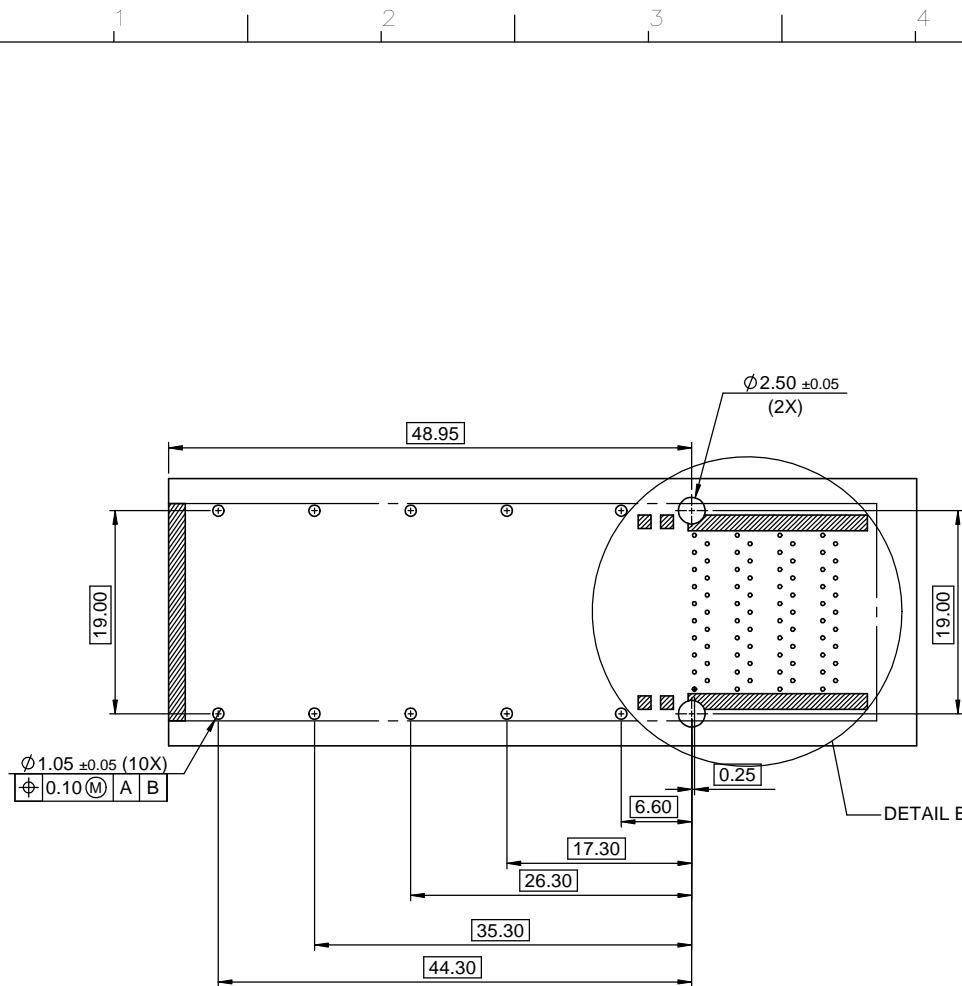


KEEP-OUT AREAS  
COMPONENT SIDE

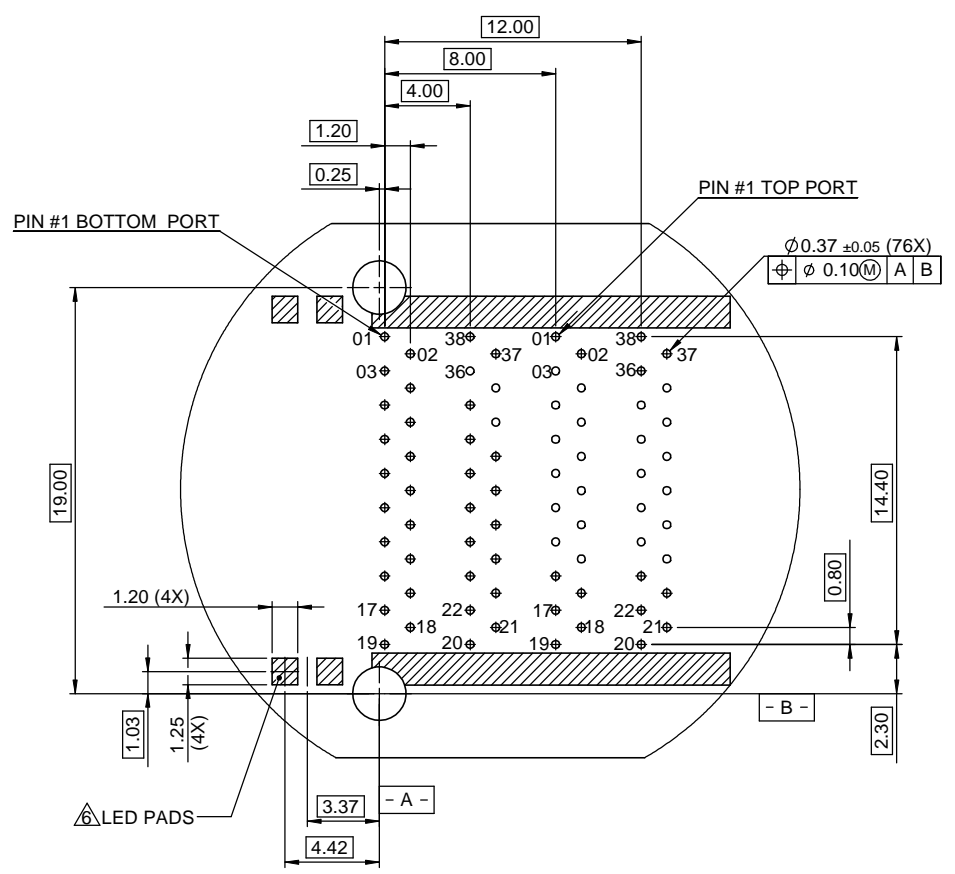


SECTION A-A

|                                                                                                                                                                                                                                       |        |             |                                                                                                                                    |                                                                                                                             |  |       |       |      |
|---------------------------------------------------------------------------------------------------------------------------------------------------------------------------------------------------------------------------------------|--------|-------------|------------------------------------------------------------------------------------------------------------------------------------|-----------------------------------------------------------------------------------------------------------------------------|--|-------|-------|------|
| X.±                                                                                                                                                                                                                                   | X.± 5° | UNITS mm    | NAME (INTENDED USE)<br>QSFP+ 2X1 ASSEMBLY<br>EMI FINGER TYPE                                                                       | <b>FOXCONN®</b><br>FOXCONN INTERCONNECT TECHNOLOGY LIMITED.                                                                 |  |       |       |      |
| .X± 0.20                                                                                                                                                                                                                              | .X± 3° | MAT'L<br>①  | PART NO. (INTENDED USE)<br>3S1076C3-A*4-4M                                                                                         |                                                                                                                             |  |       |       |      |
| .XX± 0.15                                                                                                                                                                                                                             | .XX±   | FINISH<br>② | APPD: CAMVARD 12/20'16                                                                                                             | CLASS:<br><input type="checkbox"/> CONFIDENTIAL <input type="checkbox"/> SECRET <input checked="" type="checkbox"/> GENERAL |  |       |       |      |
| .XXX±                                                                                                                                                                                                                                 | .XXX±  | Q'TY        | CHKD: PIER HSU 12/20'16                                                                                                            | TITLE: CUSTOMER DRAWING                                                                                                     |  |       |       |      |
| THESE DRAWINGS AND SPECIFICATIONS ARE THE PROPERTY OF FOXCONN INTERCONNECT TECHNOLOGY LIMITED AND SHALL NOT BE REPRODUCED, COPIED OR USED IN ANY MANNER WITHOUT THE PRIOR WRITTEN CONSENT OF FOXCONN INTERCONNECT TECHNOLOGY LIMITED. |        |             | DRAW: Y.D ZHANG 12/20'16                                                                                                           | DWG NO.:<br>323-0000-1809                                                                                                   |  |       |       |      |
|                                                                                                                                                                                                                                       |        |             | <table border="1"> <tr> <td>SCALE</td> <td>SHEET</td> <td>REV.</td> </tr> <tr> <td>N/A</td> <td>3/4</td> <td>F</td> </tr> </table> |                                                                                                                             |  | SCALE | SHEET | REV. |
| SCALE                                                                                                                                                                                                                                 | SHEET  | REV.        |                                                                                                                                    |                                                                                                                             |  |       |       |      |
| N/A                                                                                                                                                                                                                                   | 3/4    | F           |                                                                                                                                    |                                                                                                                             |  |       |       |      |



RECOMMENDED PCB LAYOUT



DETAIL B

NOTES:

- 1. THE ENTIRE AREA UNDER THE CONNECTOR IS A COMPONENT KEEP-OUT ZONE.
- 2. THESE RECTANGULAR ZONES ARE FOR LED PLACEMENT. LED HEIGHT SHOULD NOT EXCEED 0.8 AND PLACEMENT SHOULD BE CENTERED WITHIN THIS LED KEEP-IN ZONE.
- 3. RECOMMENDED LED CHIP PACKAGE SIZE IS 0805.

|                                                                                                                                                                                                                                       |        |             |                                                              |                                                                                                                             |      |
|---------------------------------------------------------------------------------------------------------------------------------------------------------------------------------------------------------------------------------------|--------|-------------|--------------------------------------------------------------|-----------------------------------------------------------------------------------------------------------------------------|------|
| X.±                                                                                                                                                                                                                                   | X.± 5° | UNITS mm    | NAME (INTENDED USE)<br>QSFP+ 2X1 ASSEMBLY<br>EMI FINGER TYPE | <b>FOXCONN®</b><br>FOXCONN INTERCONNECT TECHNOLOGY LIMITED.                                                                 |      |
| .X± 0.20                                                                                                                                                                                                                              | .X± 3° | MAT'L<br>1  | PART NO. (INTENDED USE)<br>3S1076C3-A*4-4M                   |                                                                                                                             |      |
| .XX± 0.15                                                                                                                                                                                                                             | .XX±   | FINISH<br>2 | APPD: CAMVARD 12/20'16                                       | CLASS:<br><input type="checkbox"/> CONFIDENTIAL <input type="checkbox"/> SECRET <input checked="" type="checkbox"/> GENERAL |      |
| .XXX±                                                                                                                                                                                                                                 | .XXX±  | Q'TY        | CHKD: PIER HSU 12/20'16<br>DRAW: Y.D ZHANG 12/20'16          | TITLE: CUSTOMER DRAWING                                                                                                     |      |
| THESE DRAWINGS AND SPECIFICATIONS ARE THE PROPERTY OF FOXCONN INTERCONNECT TECHNOLOGY LIMITED AND SHALL NOT BE REPRODUCED, COPIED OR USED IN ANY MANNER WITHOUT THE PRIOR WRITTEN CONSENT OF FOXCONN INTERCONNECT TECHNOLOGY LIMITED. |        |             | DWG NO.:<br>323-0000-1809                                    |                                                                                                                             |      |
|                                                                                                                                                                                                                                       |        |             | SCALE                                                        | SHEET                                                                                                                       | REV. |
|                                                                                                                                                                                                                                       |        |             | N/A                                                          | 4/4                                                                                                                         | F    |