

SPECIFICATIONS

HARD METRIC CONNECTOR

Mechanical

Mating Force: 1.5N max.
Unmating Force: 0.3N min.
Durability: 125 Cycles

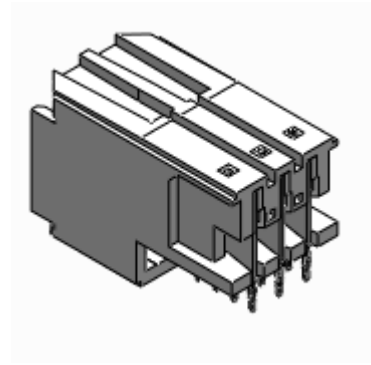
2H Series
Power Plug
3 Pos

Electrical

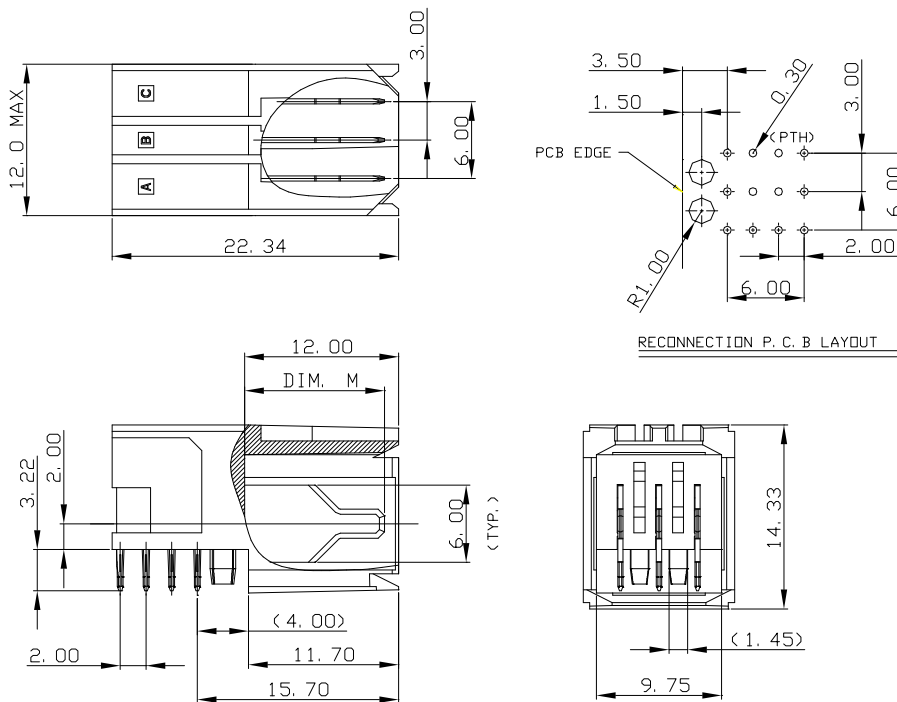
Voltage Rating: 500V
Current Rating: 15A
Contact Resistance: 20mΩ max.
Insulation Resistance: 10000MΩ min.

Physical

Housing: PBT UL 94V-0, Gray
Contact: Phosphor Bronze
Plating: See "ORDERING INFORMATION"
Operating Temperature: -55°C to +125°C



DRAWING



ORDERING INFORMATION

PRODUCT NO.: 2H73010* - S0B0*

PLATING SPEC

IN CONTACT AREA:
 3=30u" FTP

SELECTIVE

PIN PATTERN