

**SPECIFICATIONS**

**HARD METRIC CONNECTOR**

**Mechanical**

**Mating Force:** 1.5N max.  
**Unmating Force:** 0.3N min.  
**Durability:** 125 Cycles

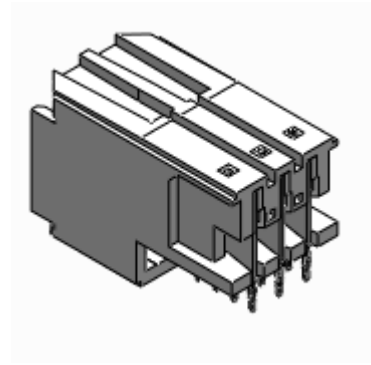
**2H Series**  
**Power Plug**  
**3 Pos**

**Electrical**

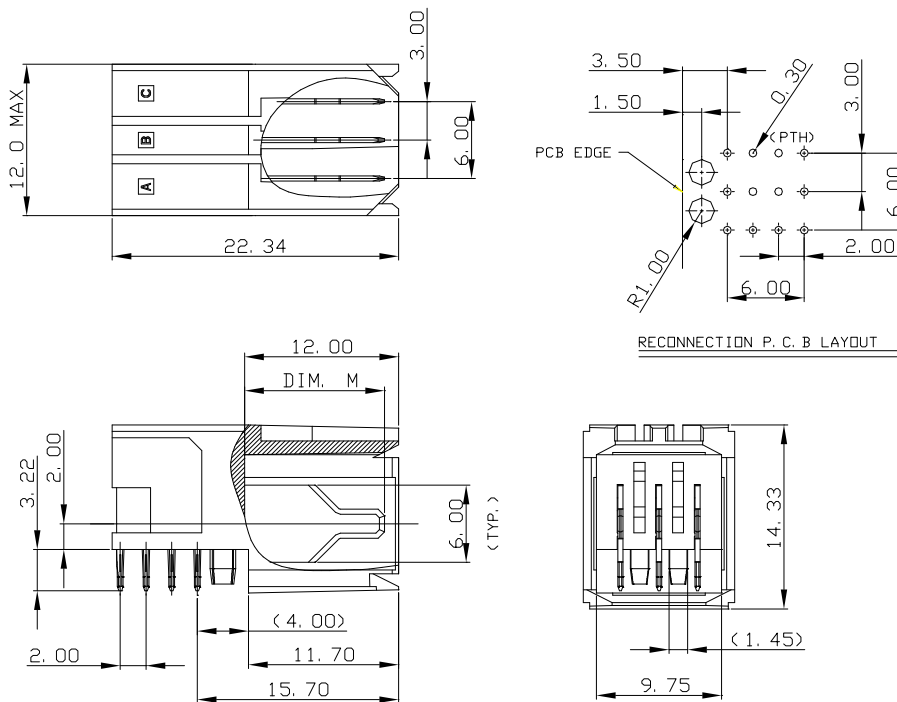
**Voltage Rating:** 500V  
**Current Rating:** 15A  
**Contact Resistance:** 20mΩ max.  
**Insulation Resistance:** 10000MΩ min.

**Physical**

**Housing:** PBT UL 94V-0, Gray  
**Contact:** Phosphor Bronze  
**Plating:** See "ORDERING INFORMATION"  
**Operating Temperature:** -55°C to +125°C



**DRAWING**



**ORDERING INFORMATION**

PRODUCT NO.: 2H73010\* - S0B0\*

PLATING SPEC

IN CONTACT AREA:  
 3=30u" FTP

SELECTIVE

PIN PATTERN