

**SPECIFICATIONS**

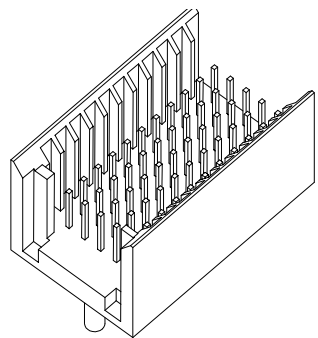
**Mechanical**  
**Contact Retention Force: 0.5Kg min.**

**Electrical**  
**Electrical**  
**Voltage Rating: 500V**  
**Current Rating: 1A**  
**Contact Resistance: 20mΩ max.**  
**Dielectrical Withstanding Voltage: 750V**  
**Insulation Resistance: 10000MΩ min.**

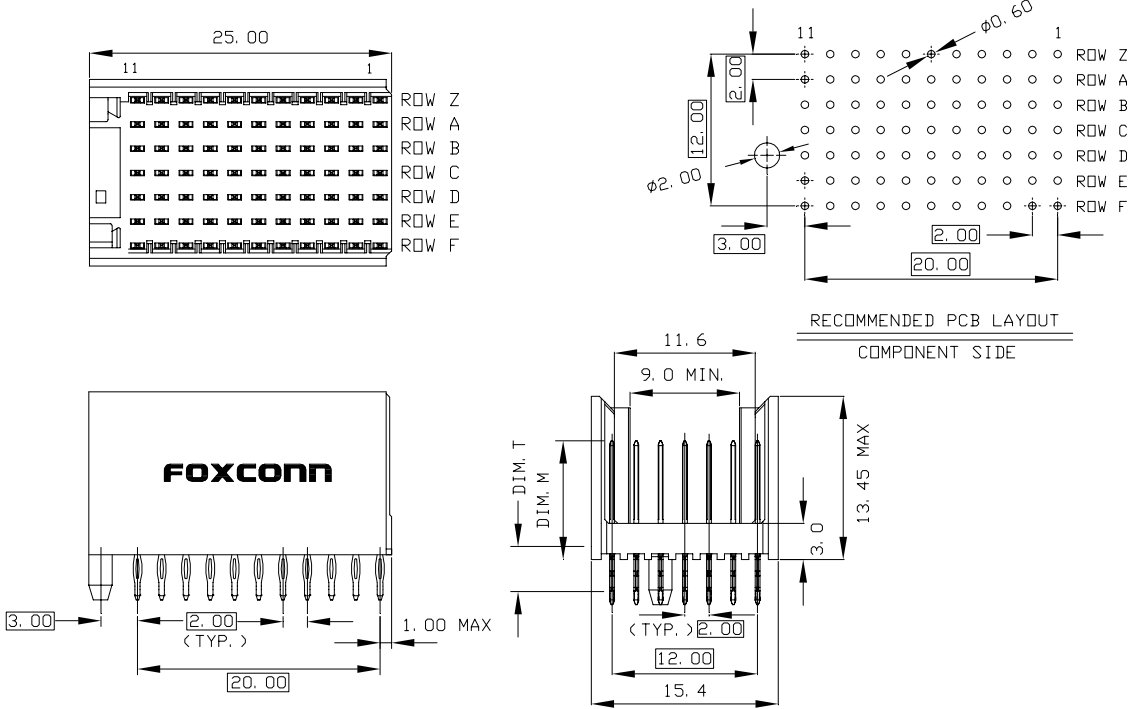
**Physical**  
**Housing: PBT, UL 94-0, Gray**  
**Contact: Phosphor Bronze**  
**Plating: See "ORDERING INFORMATION"**  
**Operating Temperature: -55° to +125**

**HARD METRIC CONNECTOR**

**2H Series**  
**Hard Metric Header Type C**  
**Press Fit Type**  
**2.0mm Pitch**  
**5 Row**



**DRAWING**



**ORDERING INFORMATION**

**PRODUCT NO.: 2H1\*\*\*\*-C\*\*\*\***

