

SPECIFICATIONS

PCI EXPRESS

Mechanical

Contact Retention Force: 0.50kgf min.
 Mating force: 117gf max. per contact pair
 Unmating Force: 15.4gf min per contact pair
 Durability: 50 Cycles

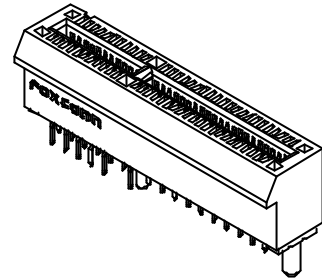
Electrical

Current Rating: 1.1A max.
 Contact Resistance: 30mW max. initial
 Dielectric Withstanding Voltage: 300V
 Insulation Resistance: 1000MW min.

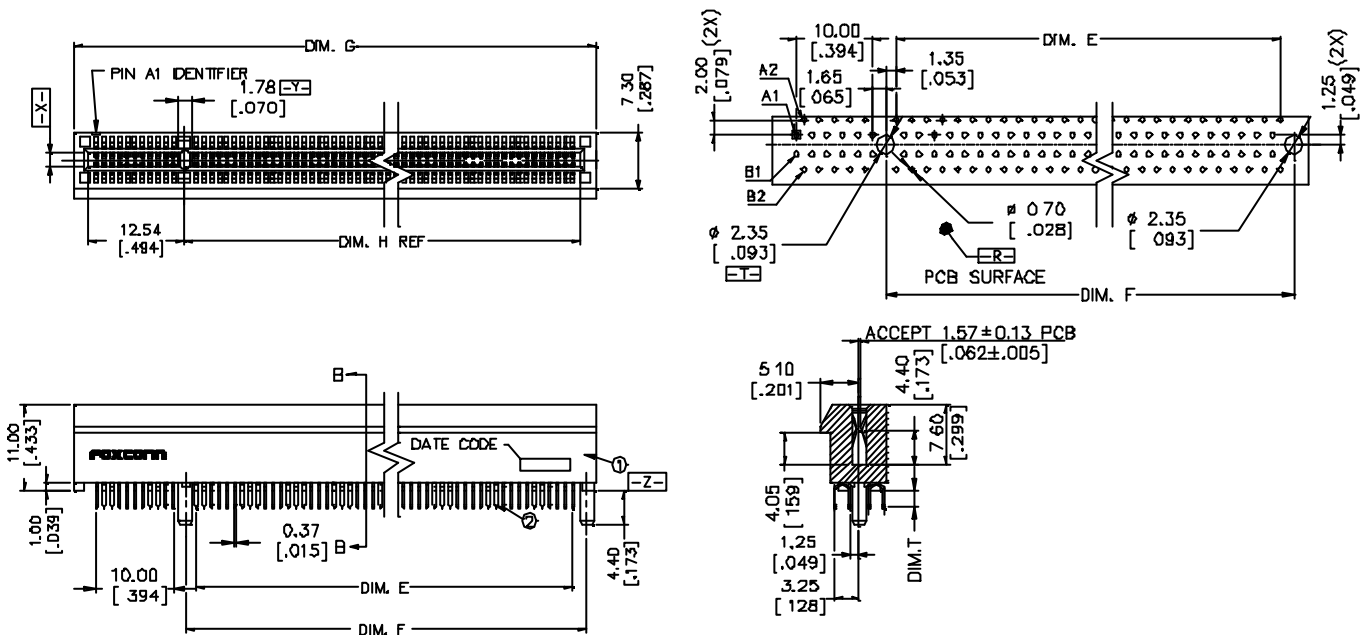
Physical

Housing: Thermoplastic, UL 94V-0 rated, in Black Color
 Contact: Copper alloy
 Plating: See "ORDERING INFORMATION"
 Operating Temperature: -40 to +105

2EG Series
 Vertical Type
 1. 00mm [.039"] Pitch
 36 Pos. (1X)
 64 Pos. (4X)
 98 Pos. (8X)
 164 Pos. (16X)



DRAWING



ORDERING INFORMATION

PRODUCT NO. 2 E G 0 * * * * - D 2 D - * *

PCI-Express
 Vertical Type
 # Position
 18 36 POS (1X)
 32 64 POS (4X)
 48 98 POS (8X)
 62 164 POS (16X)
 Solder Tail Lead Length
 1 2.30 (FOR 1.57 THK PCB)
 2 3.10 (FOR 2.38 THK PCB)

Plating Type:
 DN: Tin/Lead
 DF: Lead Free

Extension Code

Contact Aear Gold Plating:
 1 GOLD FLASH
 7 15u" GOLD
 ± 30u" GOLD

| | | | | | | |
|---------------------|--------|--------|--------|--------|-------------|-------------|
| 2EG082** - D20 - ** | 72.64 | 89.00 | 73.15 | 70.00 | 2.30 | 3.10 |
| 2EG049** - D20 - ** | 39.54 | 56.00 | 40.15 | 37.00 | 2.30 | 3.10 |
| 2EG032** - D20 - ** | 22.54 | 39.00 | 23.15 | 20.00 | 2.30 | 3.10 |
| 2EG018** - D20 - ** | 8.54 | 25.00 | 8.15 | 6.00 | 2.30 | 3.10 |
| P/N | | | | | 1.57 PCB | 2.38 PCB |
| | DIM. H | DIM. G | DIM. F | DIM. E | | DIM. T |