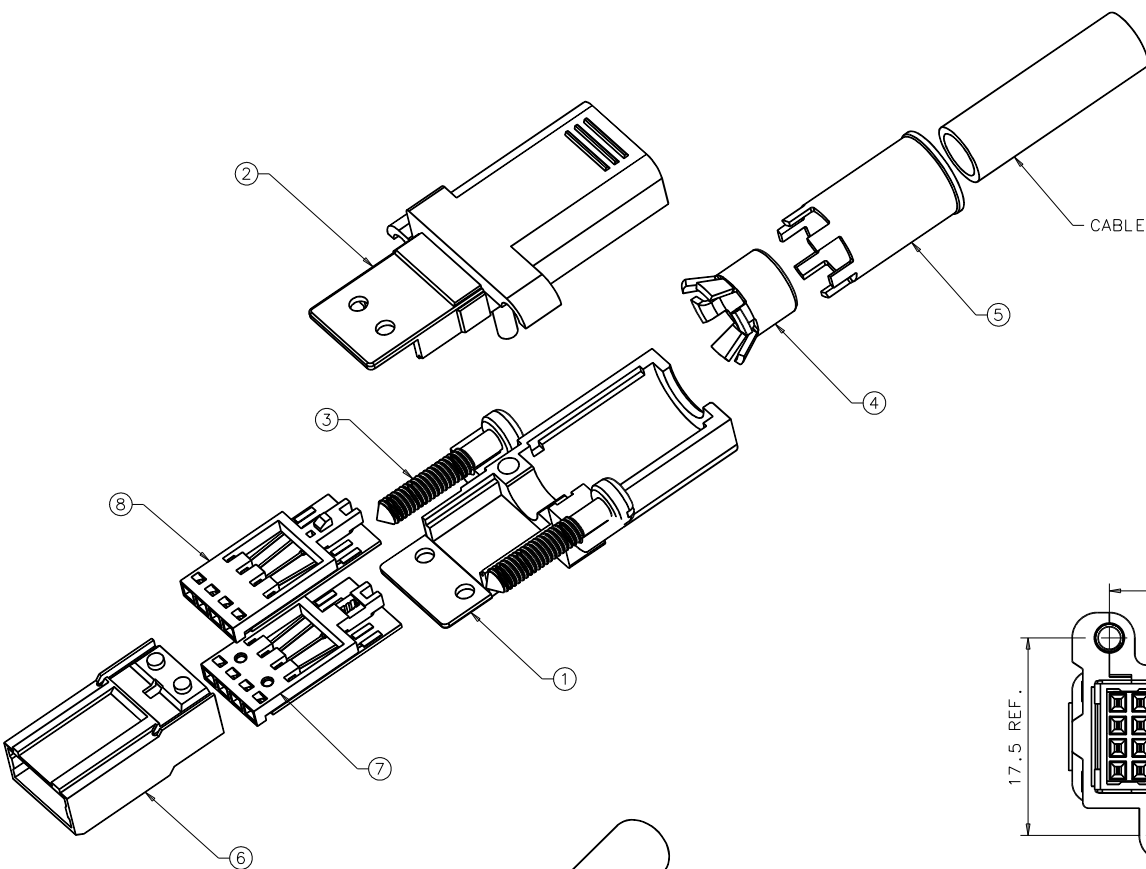


REV.	ECN. NO.	APPD.
A	BC-08-7078958	L.C. WU
B	BC-08-7120971	L.C. WU



**PART LIST**

1F52008\*-S01Q0\*-\*\*

**PLATING SPEC.**

- 1: GOLD FLASH
- 3: 0.76um(30u\*)MIN. GOLD PLATING
- 5: 1.27um(50u\*)MIN. GOLD PLATING
- 6: 0.25um(10u\*)MIN. GOLD PLATING
- A: 0.76um(30u\*)MIN. FPT PLATING, 0.25um(10u\*)MIN. GOLD INCLUDED
- C: 1.27um(50u\*)MIN. FPT PLATING, 0.51um(20u\*)MIN. GOLD INCLUDED.
- D: 1.27um(50u\*)MIN. FPT PLATING, 0.25um(10u\*)MIN. GOLD INCLUDED.
- K: 0.51um(20u\*)MIN. FPT PLATING, 0.13um(5u\*)MIN. GOLD INCLUDED.

- LEAD FREE CODE  
N: NONE  
F: LEAD FREE PLATING
- PACKAGE TYPE  
D: BOX
- EXTENSION CODE  
N: NORMAL PLATING

**COMPONENT PART LIST**

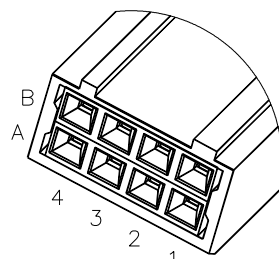
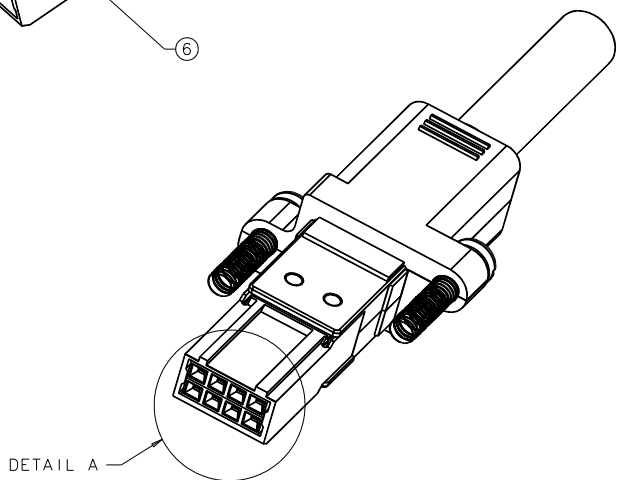
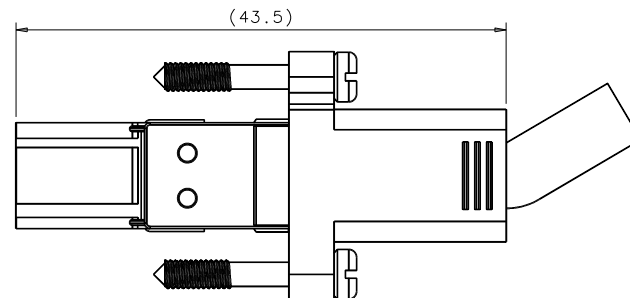
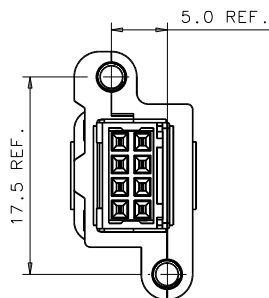
\*\*\*\*\*XY\*\*\*\*\*

**TIN PASTE TYPE**

- 1: LEAD FREE (LOW TEMPERATURE)
- 2: LEAD FREE (HIGH TEMPERATURE)
- 3: TIN LEAD

**PLATING SPEC.**

- 1, 3, 5, 6, A, C, D, K (AS PART LIST UPPER)
- P: TIN/LEAD PLATING
- S: SATIN TIN PLATING
- M: MATTE TIN PLATING
- B: BRIGHT TIN PLATING



DETAIL A

ITEM	PRODUCT NAME	ERICSSON PRODUCT NUMBER	FOXCONN PRODUCT NUMBER	QUANTITY		
8	WAFER LOWER	53238-001	413-20XY-467	1		
7	WAFER UPPER	53238-001	413-10XY-467	1		
6	SHROUD	85710-001	013-0001-5791	1		
5	OUTER FERRULE	53236-001	023-000Y-5551	1		
4	INNER FERRULE	53235-001	023-000Y-5548	1		
3	SCREW	72780-001	060-0009-1529	2		
2	COVER-HALF LOWER	53231-001	023-000Y-5550	1		
1	COVER-HALF UPPER	53230-001	023-000Y-5547	1		
ITEM		PRODUCT NAME	ERICSSON PRODUCT NUMBER	FOXCONN PRODUCT NUMBER	QUANTITY	
X. ±	X. ±	UNITS	NAME (INTENDED USE)	<b>FOXCONN</b> HON HAI PRECISION IND. CO., LTD. TAIPEI, TAIWAN, R.O.C.	G	
.X ± 0.2	.X ±	MAT'L	FUTURE BUS CABLE CONNECTOR			
.XX ± 0.10	.XX ±		PART NO. (INTENDED USE)	TITLE: 8POS. CABLE CONNECTOR	EXPLODE STATUS	
.XXX ±	.XXX ±	FINISH	1F52008*-S01Q0*-**	DWG NO.:		343-0000-1202
THESE DRAWINGS AND SPECIFICATIONS ARE THE PROPERTY OF HON HAI PRECISION IND. CO., LTD. AND SHALL NOT BE REPRODUCED, COPIED OR USED IN ANY MANNER WITHOUT THE PRIOR WRITTEN CONSENT OF HON HAI PRECISION IND. CO., LTD.		Q'TY	APPD: L.C. WU 9/30/08	CHKD: CANVARD 9/29/08	DR: ARES HUANG 9/26/08	SCALE SHEET REV. N/A 1/1 B