

SPECIFICATIONS

Mechanical

Contact Retention Force: 0.50Kg min.

Electrical

Voltage Rating: 750V

Current Rating: 1A

Contact Resistance: 55mΩ max.

Dielectrical Withstanding Voltage: 1000V

Insulation Resistance: 1000MΩ min.

Physical

Housing: LCP, UL 94-0 rated, Ivory White

Contact: Phosphor Bronze

Plating: See "ORDERING INFORMATION"

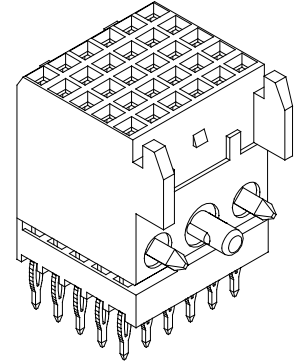
FUTURE BUS CONNECTOR

1F Series

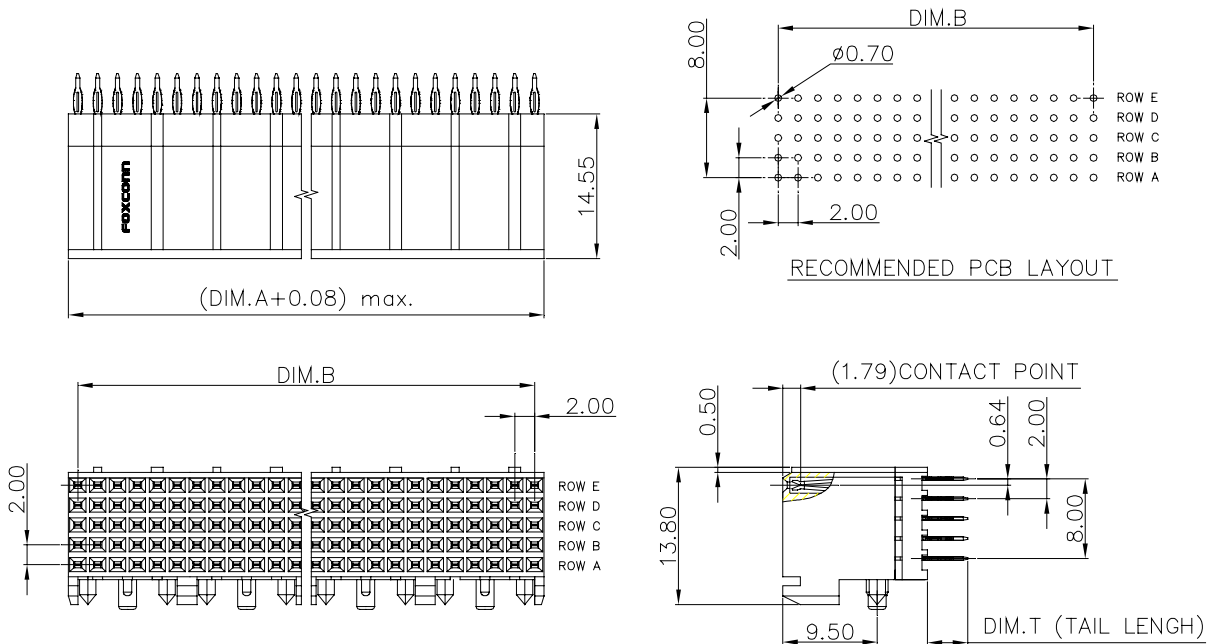
Rec. Press Fit Type

2.0mm Pitch

5 Rows



DRAWING



ORDERING INFORMATION

PRODUCT NO.: 1 F 2 2 * * * * - P * 0 2 0 * - * *

POS. NO.:

030=030 pos.

060=060 pos.

120=120 pos.

240=240 pos.

Mating Area Plating:

1=GOLD FLASH

3=0.76um(30u")MIN. GOLD PLATING

5=1.27um(50u")MIN. GOLD PLATING

6=0.25um(10u")MIN. GOLD PLATING

A=0.76um(30u")MIN. FPT PLATING,

0.25um(10u")MIN. GOLD INCLUDED

Tail Style:

P=Press Fit

Lead Free Code:

N=None

F=Lead Free

Package Type:

A=Tube

Extension Code:

N=Normal Plating

Body Style

20=Vertical Standard

Tail Length(DIM.T)

3=4.05 mm

1F22030*-P*020*-*	30	11.90	10.00
1F22060*-P*020*-*	60	23.90	22.00
1F22120*-P*020*-*	120	47.90	46.00
1F22240*-P*020*-*	240	95.90	94.00
P/N	POS.	DIM. A	DIM. B