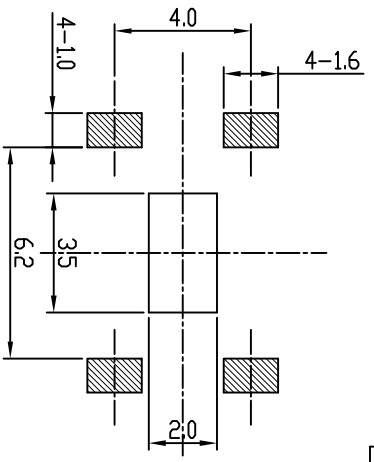
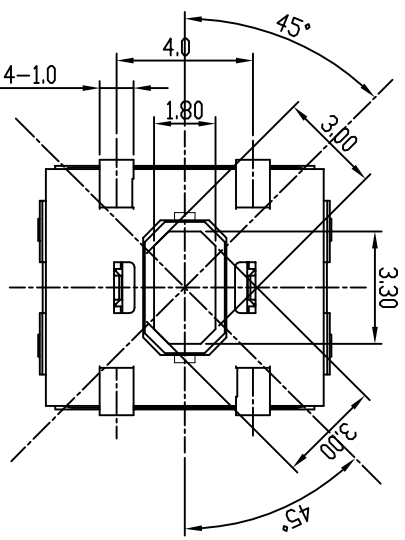
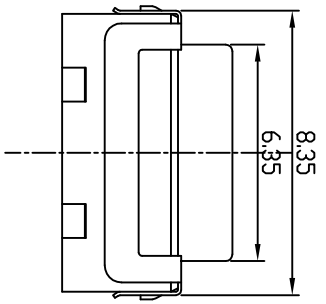
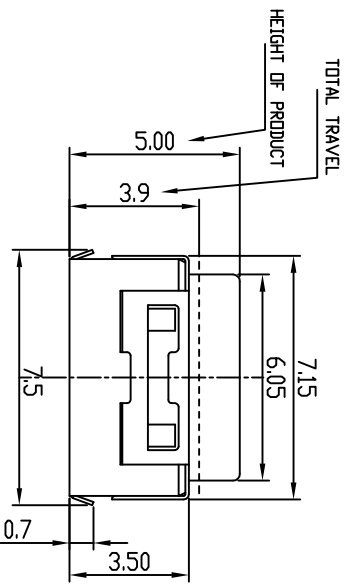


CIRCUIT DIAGRAM



RECOMMENDED PCB LAYOUT



NOTES:

1. ELECTRONIC CHARACTER
- 1.1 CURRENT RATING: DC 16V 50mA
- 1.2 CONTACT RESISTANCE: 200mΩ MAX
- 1.3 INSULATION RESISTANCE: 100MΩ MIN AT DC 100V
- 1.4 WITHSTANDING VOLTAGE: AC 100V FOR 1 MINUTE
- 1.5 BOUNCE: 20ms MAX
2. MECHANICAL CHARACTER
- 2.1 TRAVEL: 1.1±0.3mm
- 2.2 OPERATION FORCE: 220±50gf
3. ENDURANCE: 50,000 CYCLES MIN
4. OPERATION TEMP. -10° TO +60° STORAGE TEMP. -30° TO +75°
5. PLEASE CONTACT FOXCONN SALES REPRESENTATIVE TO VERIFY PRODUCT DETAILS & AVAILABILITY.

ITEM	PART NAME	Q'TY	MATERIAL	FINISH
1	ACTUATOR	1	LCP	BLACK
2	HOUSING	1	LCP	BLACK
3	COVER	1	SUS	N/A
4	TERMINAL	1	PHOSPHER BRONZE	AG PLATED
5	SPRING CONTACT	1	PHOSPHER BRONZE	AU PLATED
6	SPRING	2	SUS	N/A

UNITS	MM	NAME	Q'TY	INTENDED USE
X. ±	X. ±	TACT SWITCH		
.X ± 0.3	X. ±			
.XX ± 0.2	XX ±			
.XXX ±	.XXX ±			

APP'D:	CHK'D:	DR:	TITLE:
Nakase 08/28/08	Jeshey Tan 08/28/08	Winter Wang 08/27/08	CUSTOMER DRAWING FOR 1B1024

1B1024-1124L-7F
P/N

REV.	ECN. NO.	APP'D.
A	BC-08-7023688	Nakase

335-0000-1321
SCALE SHEET REV. 16/1 A