

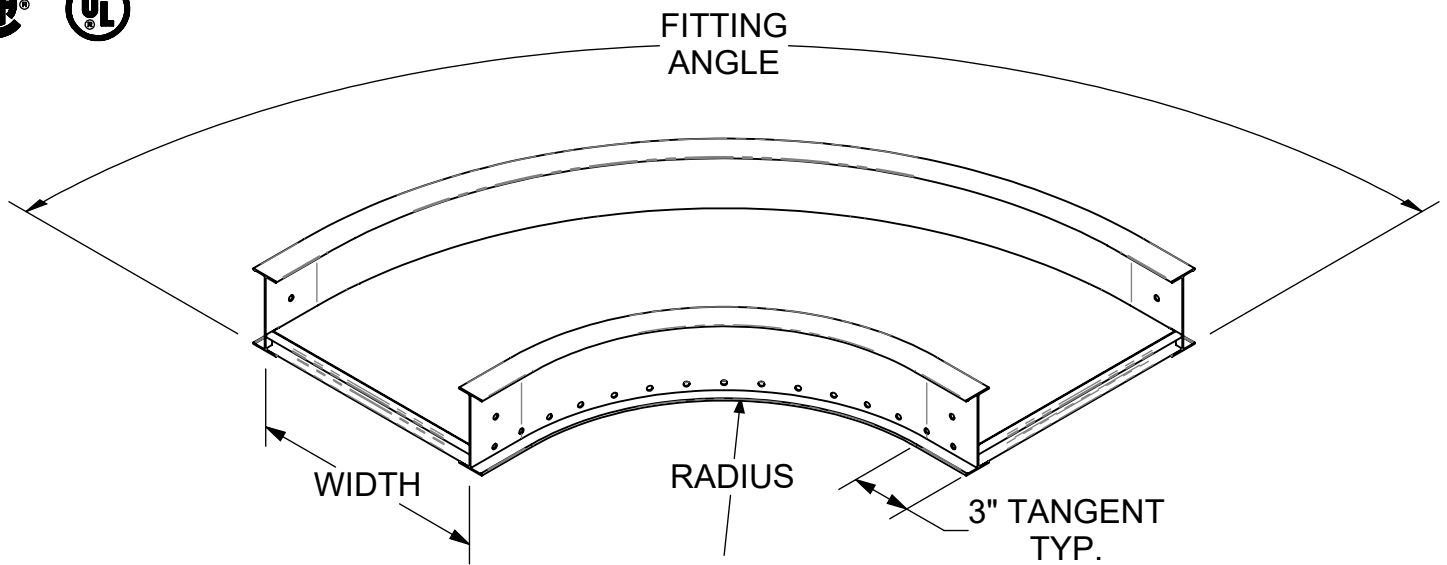
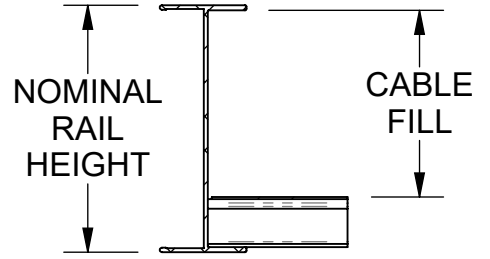
KWIKRAIL™ HORIZONTAL BEND SOLID BOTTOM

ALUMINUM ALLOY 6063, COPPER FREE MARINE GRADE
ALUMINUM ALLOY 5052, COPPER FREE MARINE GRADE

1 PAIR OF SPLICE PLATES WITH HARDWARE INCLUDED

CONSTRUCTED PER NEMA VE1 / CSA C22.2 NO. 126

CLASSIFIED BY UNDERWRITERS LABORATORIES, INC.
AS A SUITABLE EQUIPMENT
GROUNDING CONDUCTOR ONLY
UL FILE E60548



KR 4 A SB - 18 - 90 HB 12

(KR4ASB-18-90HB12 SHOWN)

SERIES	NOMINAL RAIL HEIGHT	MATERIAL	TYPE	WIDTH	ANGLE	FITTING TYPE	RADIUS
KWIKRAIL™	4 (3" CABLE FILL) 6 (5" CABLE FILL)	A = ALUMINUM	SB = SOLID BOTTOM	06 = 6" 09 = 9" 12 = 12" 18 = 18" 24 = 24" 30 = 30" 36 = 36"	45 = 45 DEG. 90 = 90 DEG.	HB = HORIZONTAL BEND	12 = 12" 24 = 24"

THIS DRAWING AND/OR THE TECHNICAL INFORMATION CONTAINED HEREON IS THE PROPERTY OF EATON CORPORATION ("EATON"), AND IS ISSUED IN CONFIDENCE FOR EATON ENGINEERING PURPOSES ONLY AND MAY NOT BE REPRODUCED OR USED FOR ANY PURPOSE WHATSOEVER WITHOUT THE EXPRESS WRITTEN PERMISSION OF EATON TO THE USER. THIS DRAWING AND/OR TECHNICAL INFORMATION IS THE PROPERTY OF EATON AND IS LOANED FOR MUTUAL ASSISTANCE. TO BE RETURNED WHEN ITS INTENDED PURPOSE HAS BEEN SERVED.



Eaton, B-Line Division
509 W. Monroe Street
Highland, IL 62249
Phone (618) 654-2184
FAX (618) 654-5499

www.b-line.com

SUBMITTAL DRAWING

TITLE:

**KWIKRAIL™ SERIES ALUMINUM
SOLID BOTTOM
HORIZONTAL BEND**

REFERENCE DWG(S):

SUBMITTAL NO:

S00036611

DRAWN BY: JLJ
REV: A

DATE: 07/07/22

MODEL SOURCE FILE: 00036611
REV: 01

SHEET: 1 OF 1

UNLESS OTHERWISE SPECIFIED MATERIAL SHOWN HAS BEEN FABRICATED IN ACCORDANCE WITH THIS DRAWING.