

Model Comparison

Model	VRRM VDRM(V)	ITAVIFAV(A)
CDD320N08	800	305
CDD320N12	1200	305
CDD320N14	1400	305
CDD320N16	1600	305
CDD320N18	1800	305
CDD320N20	2000	305
CDD320N22	2200	305

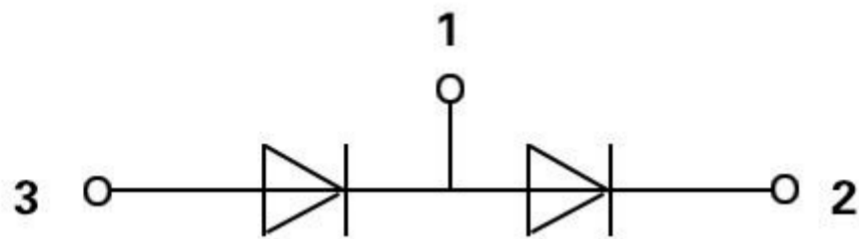
Features / Advantages

- Package with DCB ceramic
- Improved temperature and power cycling
- Planar passivated chips
- Very low forward voltage drop
- Very low leakage current

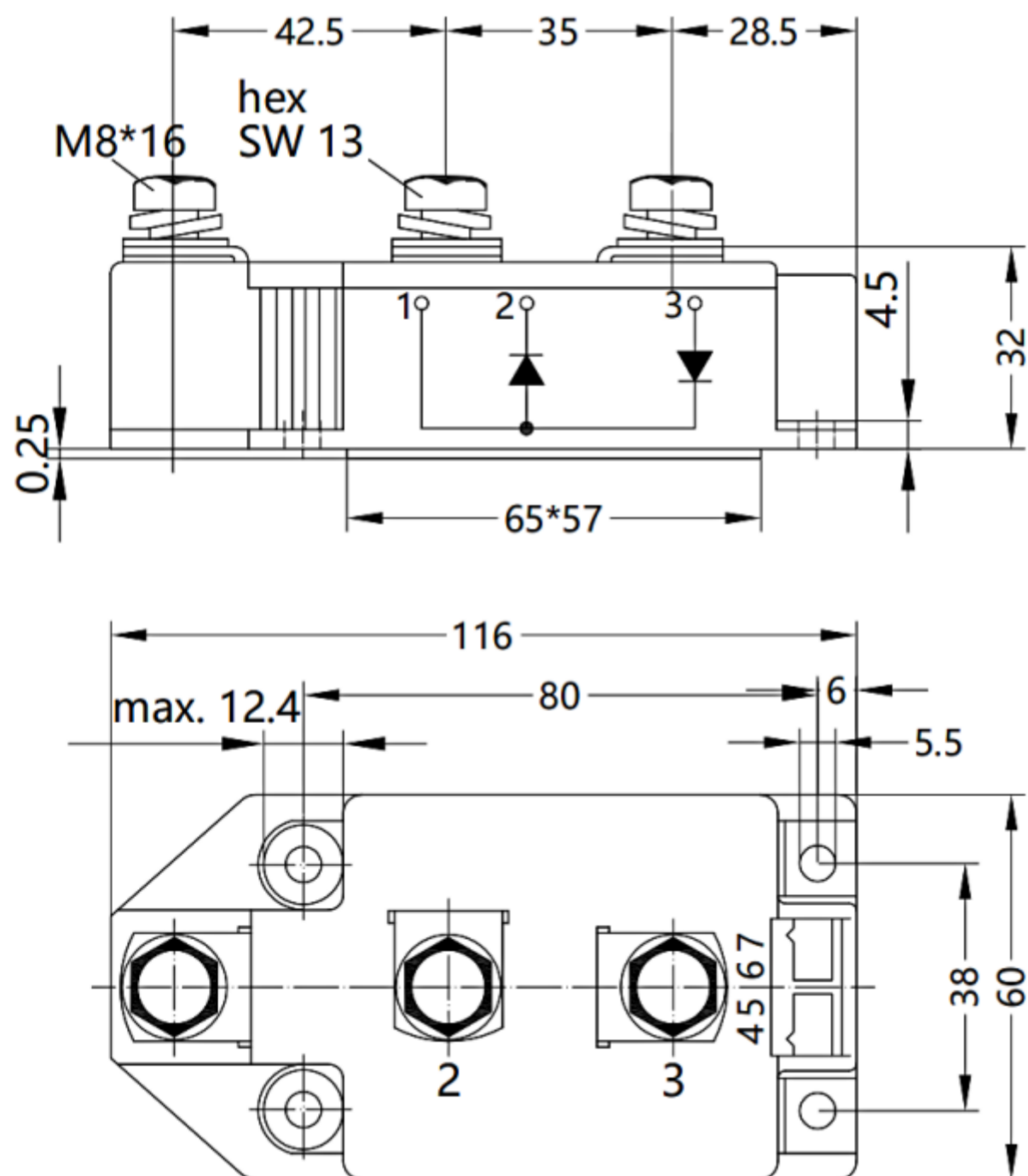
Applications

- Diode for main rectification
- For single and three phase bridge configurations
- Supplies for DC power equipment
- Input rectifiers for PWM inverter
- Battery DC power supplies
- Field supply for DC motors

Internal Circuit



Package Dimension
Dimensions in Millimeters



Parameters

Parametrics	CDD320N08~22
$V_{DRM} V_{RRM}$	800~2200V
$I_{TAV} I_{FAV}$ @TC	305A
T_C	100°C
$I_{TSM} I_{FSM}$ @10ms, T_{vj} max	11500A
$V_{(FM)}$ @ T_{vj} max	0.75V
Package style Outline drawings	XTC